

kreon

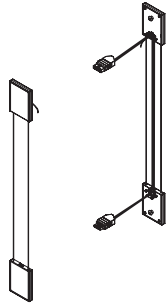
technics

Name

Reference

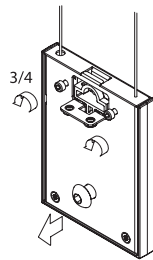
cable suspension

kr763102

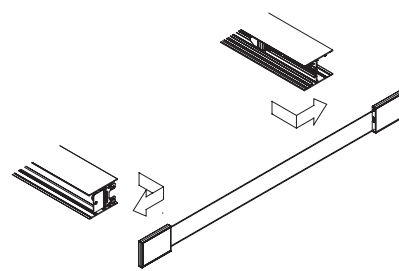


1 specifications

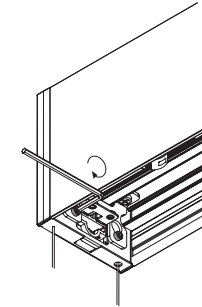
cable suspension



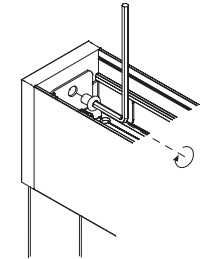
remove the big bolts and release the small ones for 3/4 of their length.



slide the bolts in the keyholes that are mounted in the profile do this on both sides of the coupler

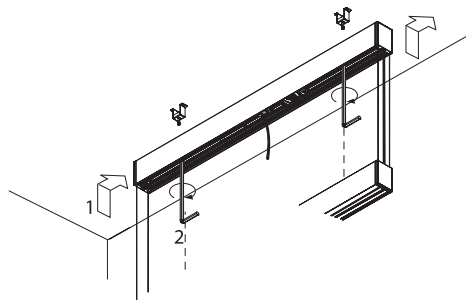


fix the small hexagon bolts

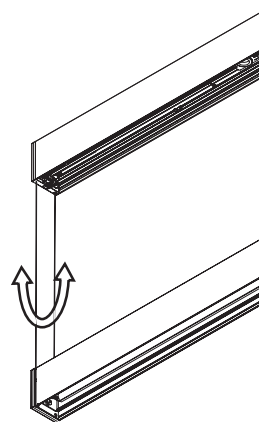


use the 4 hexagon bolts to fix the coupler to the profile

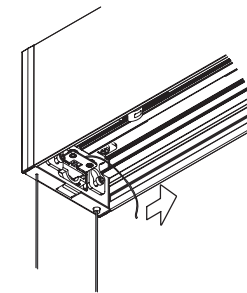
2 installation



slide in keyhole slot to fix against ceiling

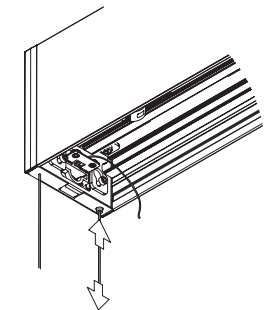


adjust the height of the cadre by pulling the strands (or release them) on both sides



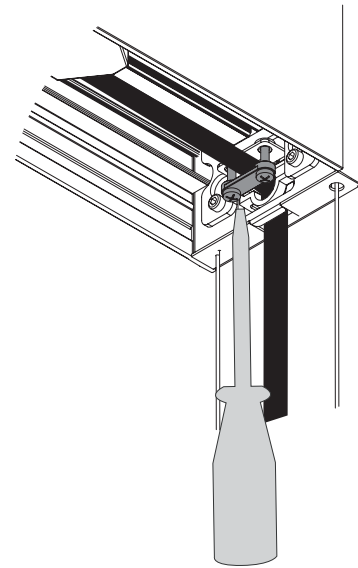
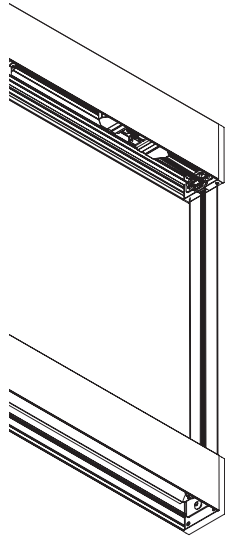
to make the cadre shorter: pull the strand

by pulling the strand, the cable will shorten and pull the down part of the cadre up



to make the cadre longer: push the button that is coming out of the suspension and pull the cable downward, the down part of the cadre will drop

installation



when the cadre is at the preferred height, smoothen the feeder cable.
when it is tight, fasten the cable clamp so the cable stays fixed

installation

do this on both ends of the cable