

boverinfo@boverusa.com
www.boverusa.com**Siam - 120**

Name: Siam - 120

Design: Joana Bover / 2010

Typology: Ceiling lamp

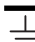
Environment: Indoor

Technical description:

Ceiling lamp providing diffused light through a translucent shade composed of hand wrapped polyester blend ribbon, with structure finished in satin nickel, in two size options. Ribbon colors are available in white, cream and red. Frosted white polycarbonate diffuser is included. This ceiling lamp can be mounted to be partially superimposed upon themselves to create stylish combinations according to the clients' needs.



Lamps description

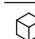
 Grounding: compulsory

 6 x 60 W E26 A15 INC

 6 x 10 W E26 A19 LED

 6 x 20 W E26 Triple CFL


Voltage: 120V~60Hz

 1 Box 52.36 x 17.72 x 61.02 inches

Vol.: 32.758 ft³

Weight: 121.25 lbs

Certifications:  

 Photometrics made according to the position the lights are shown in the catalogue and price list.

Ref Finishings

0232005PU Structure 01 Satin Nickel

0232005GU Structure 02 Satin Nickel

Lampshade:

P-698CU White Translucent Ribbon

P-699CU Cream Translucent Ribbon

P-700CU Red Translucent Ribbon

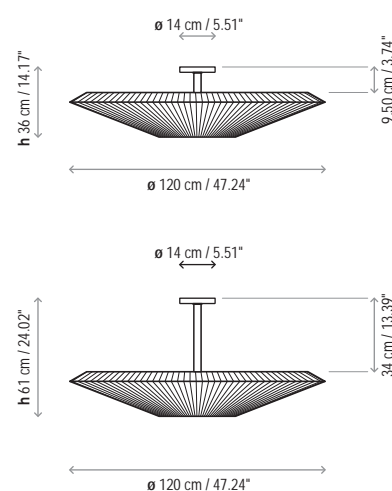
This ceiling lamp allows several individual or group compositions.

Available in two sizes: 6.2 in and 16.1 in structure.

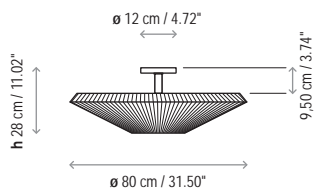
Superimposing shades partially, one on another, we will obtain a mural suitable for each space and need.

Customizable

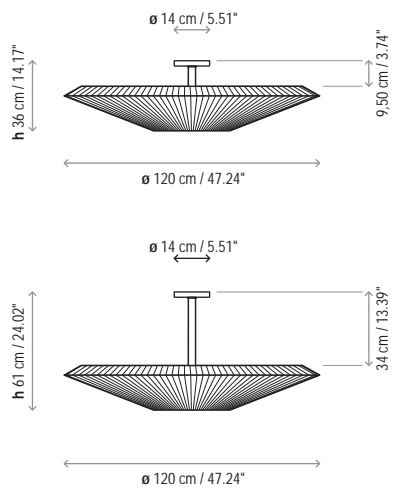
Measures



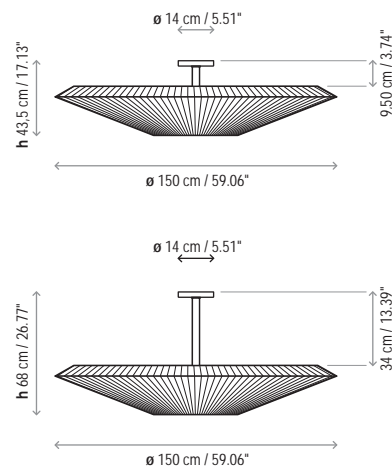
Siam - 80



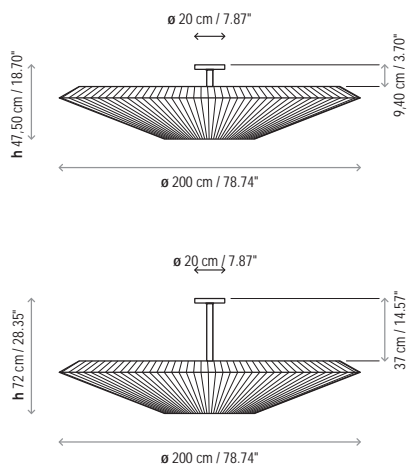
Siam - 120



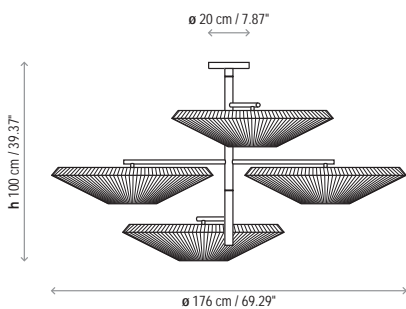
Siam - 150



Siam - 200



Siam - 4 Luces



Siam - 6 Luces

