

# PANZERI

## Jarvis

220-240V AC ON-OFF  
XR13001.070.2201

● white



### Data sheet

CODE	XR13001.070.2201
SYSTEM POWER CONSUMPTION	max 10W
EFFICACY	68lm/W
LIGHT SOURCE	LED retrofit / halogen
LIGHT SOURCE KIT	* included
COMPATIBLE SOURCES	LED retrofit bulb 7,5W GU10 3000K 60° Ra80 680lm (no dimming) * / max 10W GU10
COLOUR TEMPERATURE	3000K Ra>80
LIGHT DISTRIBUTION	wide flood
BEAM ANGLE	60°
POWER SUPPLY	220-240V AC
FREQUENCY	50/60Hz
ELECTRICAL CONFIGURATION	ON-OFF
NOMINAL LUMINOUS FLUX	680lm
LUMEN OUTPUT	680lm
EFFICIENCY	100%
WEIGHT	0,00 Kg
PROTECTION DEGREE	IP20
PACKING DIMENSIONS	0,0 x 0,0 x 0,0 cm



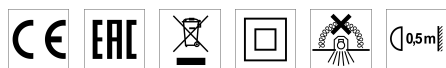
Lighting fixture for ceiling built-in installation for interiors, with swivelling light beam. Total built-in structure for permanent false ceilings, in die-cast aluminium in white powder paint.

Light source fastening ring rotating on two axes, in thermoplastic material.

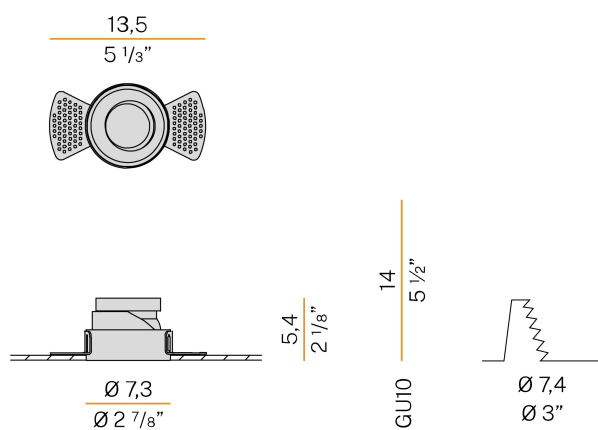
Reflector in thermoplastic material with white or mat black finish.

Pickled sheet metal brackets for false ceiling fixing in powder paint.

Built-in hole dimension: Ø 74mm (Ø 3")



### Technical drawing



### Application



### Polar diagram

