

Heathfield&Co

Product Specification Sheet

CEILING LIGHT | ONA LARGE IVORY



PRODUCT INFORMATION

Base Code: PD-ONA0-IVOR-SMOA-POL

Material: Ceramic, Wood & Glass

Finish shown: Ivory

Flex: UK & EU 1.5 metres of Oatmeal braided flex /
US Oatmeal braided cable

TECHNICAL INFORMATION

Weight: 1kg / 2.2lbs

Switching & Plug: Hardwired

Lamping: 1x G9 lampholder / 1x G9 US lampholder
25W max. LED lamps recommended.

Lamps not included

TOTAL HEIGHT: 1730 mm / 68"

TOTAL WIDTH: 260 mm / 10¹/₄"

UKCA / CE / WIRED USING US COMPONENTS

WARRANTY

10 years*

FINISHING NOTE

The ceramic glazes that we have used on this lamp will create differences from piece to piece - variations in colour, formation and detailing. As such, it is part of the charm that no two products are exactly the same.

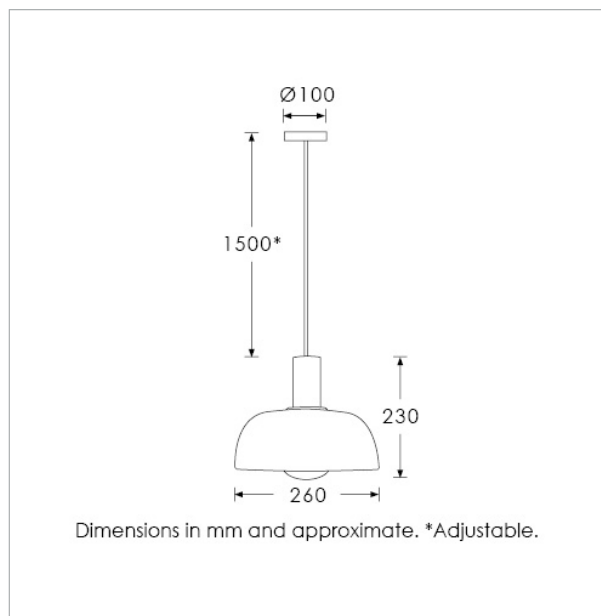
CLEANING INSTRUCTIONS

The finishes on this luminaire only require regular cleaning with a soft dry duster. Abrasive or chemical cleaners may harm the finish and should not be used.

FIXING NOTE

It is the buyer's responsibility to ensure that suitable fixings are used.

*Please refer to our Terms & Conditions for further information.



H&
CO

LIGHT BEYOND DESIGN

Heathfield&Co

Product Specification Sheet

CEILING LIGHT | ONA LARGE OLIVE



PRODUCT INFORMATION

Base Code: PD-ONA0-OLIV-SMOA-POL

Material: Ceramic, Wood & Glass

Finish shown: Olive

Flex: UK & EU 1.5 metres of Oatmeal braided flex /
US Oatmeal braided cable

TECHNICAL INFORMATION

Weight: 1kg / 2.2lbs

Switching & Plug: Hardwired

Lamping: 1x G9 lampholder / 1x G9 US lampholder
25W max. LED lamps recommended.

Lamps not included

TOTAL HEIGHT: 1730 mm / 68"

TOTAL WIDTH: 260 mm / 10¹/₄"

UKCA / CE / WIRED USING US COMPONENTS

WARRANTY

10 years*

FINISHING NOTE

The ceramic glazes that we have used on this lamp will create differences from piece to piece - variations in colour, formation and detailing. As such, it is part of the charm that no two products are exactly the same.

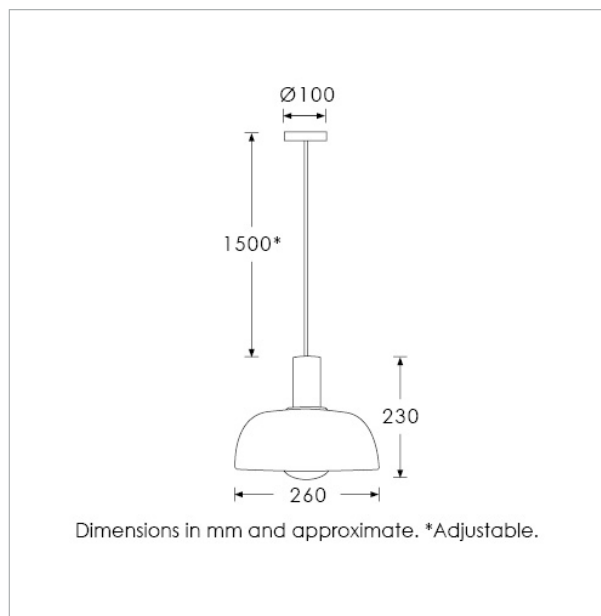
CLEANING INSTRUCTIONS

The finishes on this luminaire only require regular cleaning with a soft dry duster. Abrasive or chemical cleaners may harm the finish and should not be used.

FIXING NOTE

It is the buyer's responsibility to ensure that suitable fixings are used.

*Please refer to our Terms & Conditions for further information.



H&
CO

LIGHT BEYOND DESIGN