

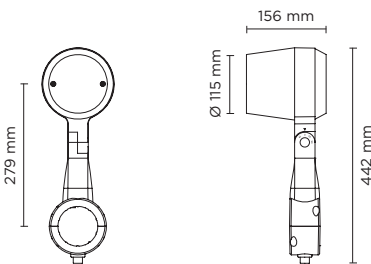


807008 - 807011

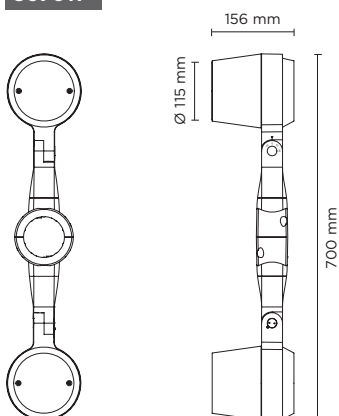
## RING POLE MEDIUM HP

Floodlight for outdoor installation on a pole diam. 60 mm or 76 mm, with 355° swivel pole attachment and allowing horizontal adjustment of +90° / -40°. Phospho-chromatised and polyester powder coated die-cast copper-free aluminium base and head, tempered safety glass, moulded silicone gaskets and o-rings, with screws in stainless steel. Swivel pole joint with graduated scale and mechanical aiming lock. Built-in LED driver, with 3 x CREE XHP35 LED. IP66 rating.

807008



807011



### Technical features

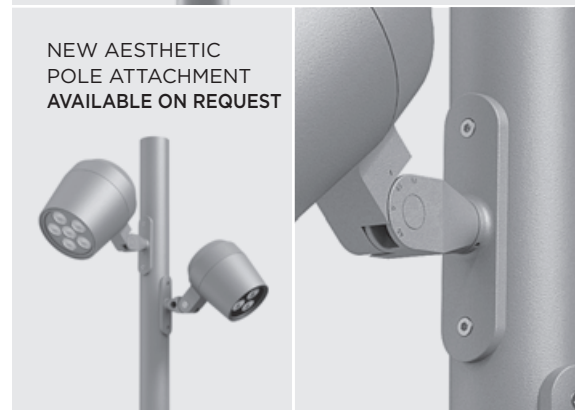


### Technical data

IP Rating	IP66
IK Rating	IK10
Material	High corrosion resistance die-cast copper-free aluminum body
Coating	Polyester powder coating with phosphochromating pre-finish
Screws	Stainless steel
Transformer	Electrical power supply 220/240V 50/60Hz built-in
Gasket	Silicone rubber
Glass	Tempered
Cable gland	M16 rubber grommet
Power cable	Not included



NEW AESTHETIC POLE ATTACHMENT AVAILABLE ON REQUEST



**807008** SINGLE RING POLE MEDIUM HP - 20 WATT 220-240V 50-60HZ

light source	light beam options	lumen output (lm)	lumin. efficacy (lm/w)
<b>3000°K warm-white</b>			
high-power led	4°	2.050	102.50
high-power led	10°	2.000	100.00
high-power led	28°	1.950	97.50
<b>4000°K neutral-white</b>			
high-power led	4°	2.100	105.00
high-power led	10°	2.050	102.50
high-power led	28°	2.000	100.00

**Colors options**

- Textured Grey RAL 9006
- Anthracite Grey RAL 7016
- Matt Black (on request)

**Technical data**

Wattage	20 WATT
Light source	3 x CREE XHP35 LED
Gross weight	3,00 Kg



**807011** DOUBLE RING POLE MEDIUM HP - 2X20 WATT 220-240V 50-60HZ

light source	light beam options	lumen output (lm)	lumin. efficacy (lm/w)
<b>3000°K warm-white</b>			
high-power led	4°	2 x 2.050	102.50
high-power led	10°	2 x 2.000	100.00
high-power led	28°	2 x 1.950	97.50
<b>4000°K neutral-white</b>			
high-power led	4°	2 x 2.100	105.00
high-power led	10°	2 x 2.050	102.50
high-power led	28°	2 x 2.000	100.00

**Colors options**

- Textured Grey RAL 9006
- Anthracite Grey RAL 7016
- Matt Black (on request)

**Technical data**

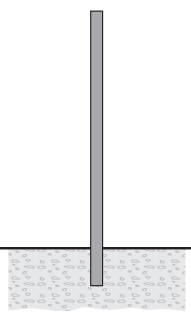
Wattage	2X20 WATT
Light source	6 x CREE XHP35 LED
Gross weight	5,50 Kg



**POLES & ACCESSORIES**

Full technical details of poles and accessories for poles are available at the end of the catalogue

BURIED POLES	
code	h. mm.
809901	3.500
809902	4.500
809903	5.500
809909	TOP CAP DIAM 76mm.



**POLES WITH BASE-PLATE**

code	h. mm.
809904	3.000
809905	4.000
809906	5.000
809907	ACC.
809909	TOP CAP DIAM 76mm

