

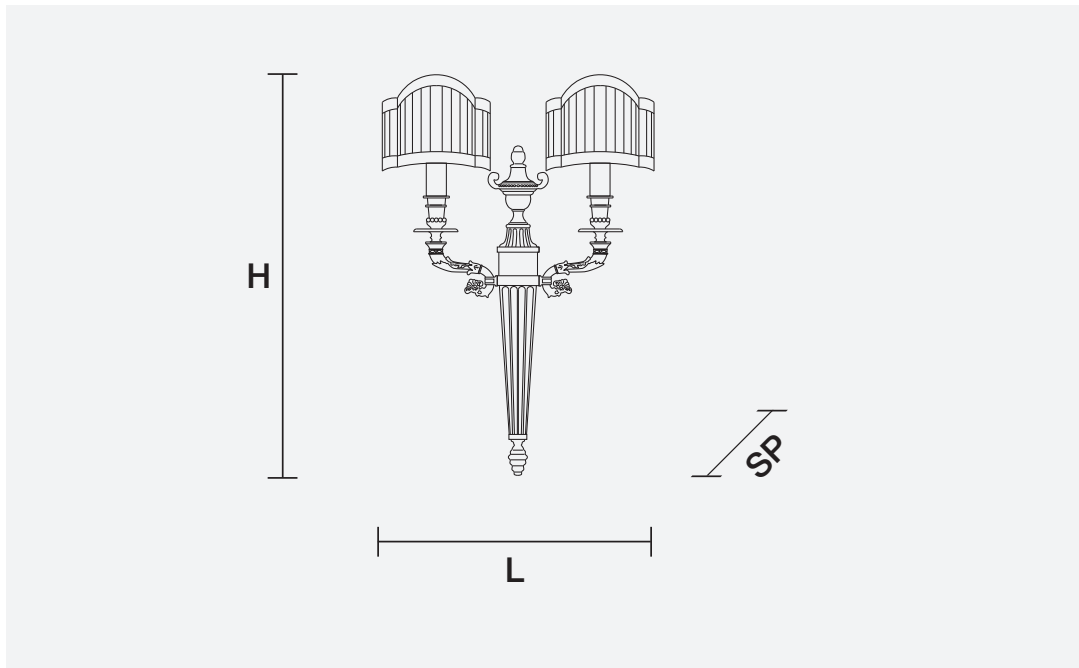
BRASS & SPOTS VE 1072 A2

Design by: Studio Stile Masiero




Telaio in ottone dorato opaco, paralumi in tessuto pongè.

Matt gold plated solid brass frame, pongè lampshades.



H	70 cm 27.60"
L	40 cm 15.75"
SP	18 cm 7.10"

 2 x E14 x 40W max
Incandescenza/Incandescent



MATERIALI MATERIALS

CUT CRYSTAL

Pendagli in cristallo trasparente molato.

Pendants in transparent cut crystal.

SWAROVSKI® ELEMENTS

Pendagli in cristallo trasparente SWAROVSKI® ELEMENTS.

Pendants in transparent SWAROVSKI® ELEMENTS crystal.

HALF CUT GLASS

Pendagli in vetro semi-molato.

Half cut glass pendants.