

Audrey

Massimiliano raggi



SO



FL



TA MEDIUM



TA LARGE



Un prodotto iconico, ispirato al celebre cappello indossato da Audrey Hepburn nel film "Colazione da Tiffany". E' pensato per luoghi esclusivi ed eleganti come lobby, boutique, club, ristoranti, e anche per sofisticati ambienti residenziali. La collezione Audrey, composta da due versioni da tavolo, oltre ai modelli da terra e sospensione, è concepita come un vero esercizio di stile. Tre le tonalità che si uniscono: cotone nella parte superiore e inferiore, tessuto bouclé nella parte centrale e le nuove passamanerie in velluto, disponibili in diversi colori. Lo stelo è ricoperto da un cordone di seta intrecciato.

Iconic product inspired by the famous hat worn by Audrey Hepburn in the movie "Breakfast at Tiffany's". Designed for exclusive and elegant locations such as lobbies, boutiques, clubs, restaurants and also for classy residential environments. Audrey collection, composed by two table versions, the floor and the suspension versions, is designed as a true style exercise. There are three shades that join together: the cotton on the upper and lower part, san colour bouclé fabric on the central part and the new velvet trimmings, available in different colours. The stem is covered with a braided silk cord.

SPECIFICHE PRODOTTO / PRODUCT SPECIFICS

AUDREY SO

p.2

AUDREY FL

p.4

AUDREY TA MEDIUM
AUDREY TA LARGE

p.5

p.6

p.7

STRUTTURA / FRAME



Copribase e rosone laccato
nero lucido
*Black lacquered base and
canopy*



Stelo in corda di seta
intrecciata nera
*Stem covered by black
braided silk rope*

PARALUME / SHADE



Cotone bianco
Bouclè color sabbia
*White cotton
Sand colour bouclè*

PASSAMANERIA / TRIMMINGS



Velluto senape
Mustard colour velvet



Velluto arancione
Orange colour velvet



Velluto blu avio
Aviation blue colour velvet



Velluto nero
Black colour velvet



CAVO - INTERRUTTORE / CABLE - SWITCH

Tessuto nero
Black fabric

SO

H: 2000 mm
H: 78.7"

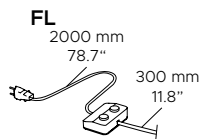
Compatibile con sistemi di controllo remoto in caso di utilizzo di lampadine LED dimmerabili

Compatible with remote control systems when dimmable LED bulbs are used

FL

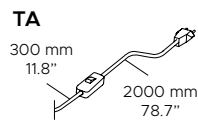
Doppio interruttore ON-OFF su cavo
Doppia accensione

*Double ON-OFF switch on cable
Double switching
L: 300 + 2000 mm
L: 11.8" + 78.7"*

**TA**

Interruttore ON-OFF su cavo

*ON-OFF switch on cable
L: 300 + 2000 mm
L: 11.8" + 78.7"*



Disponibile su richiesta versione con dimmer su cavo, compatibile solo con lampadine LED dimmerabili

Dimmer switch on the cable available on demand, compatible with dimmable LED light bulbs only

FONTE LUMINOSA / LIGHT SOURCE**220-240V**

E27 LED

FL / SO

3 x 14W E27
Lampadine LED
LED light bulbs
IP20

TA MEDIUM / TA LARGE

1 x 13W E27
Lampadina LED
LED light bulb
IP20



Audrey TA

110V

E26 LED

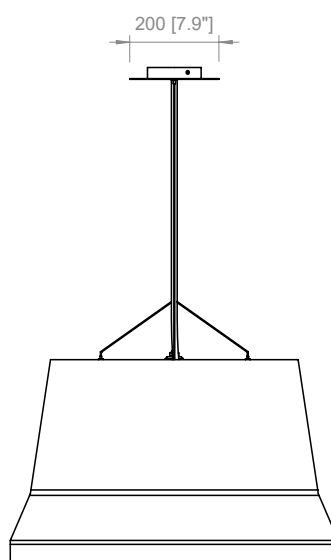
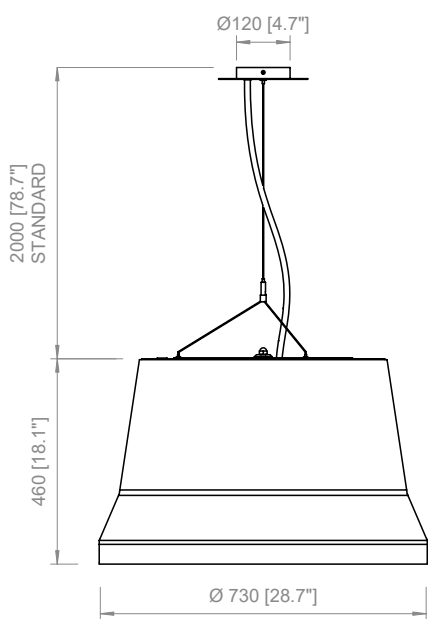
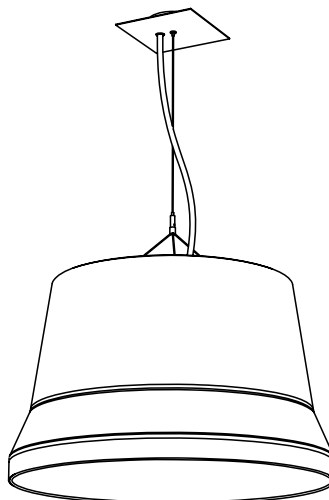
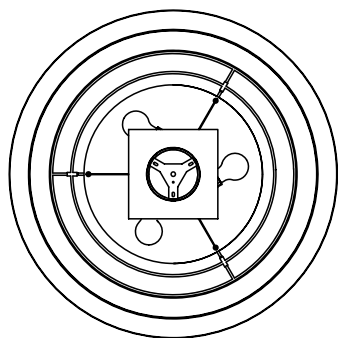
FL / SO

3 x 14W E26
LED light bulbs
IP20

TA MEDIUM / TA LARGE

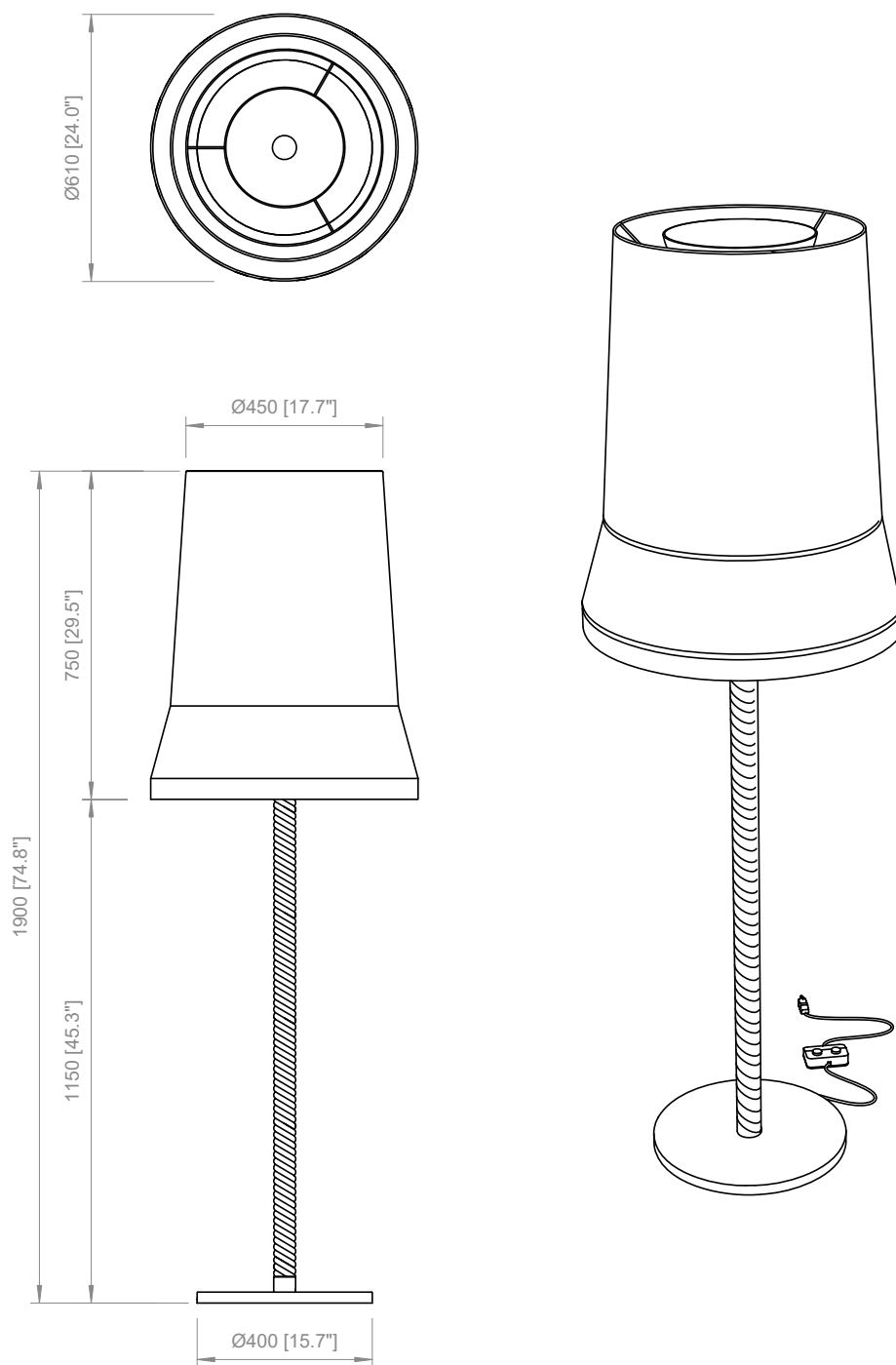
1 x 14W E26
LED light bulb
IP20





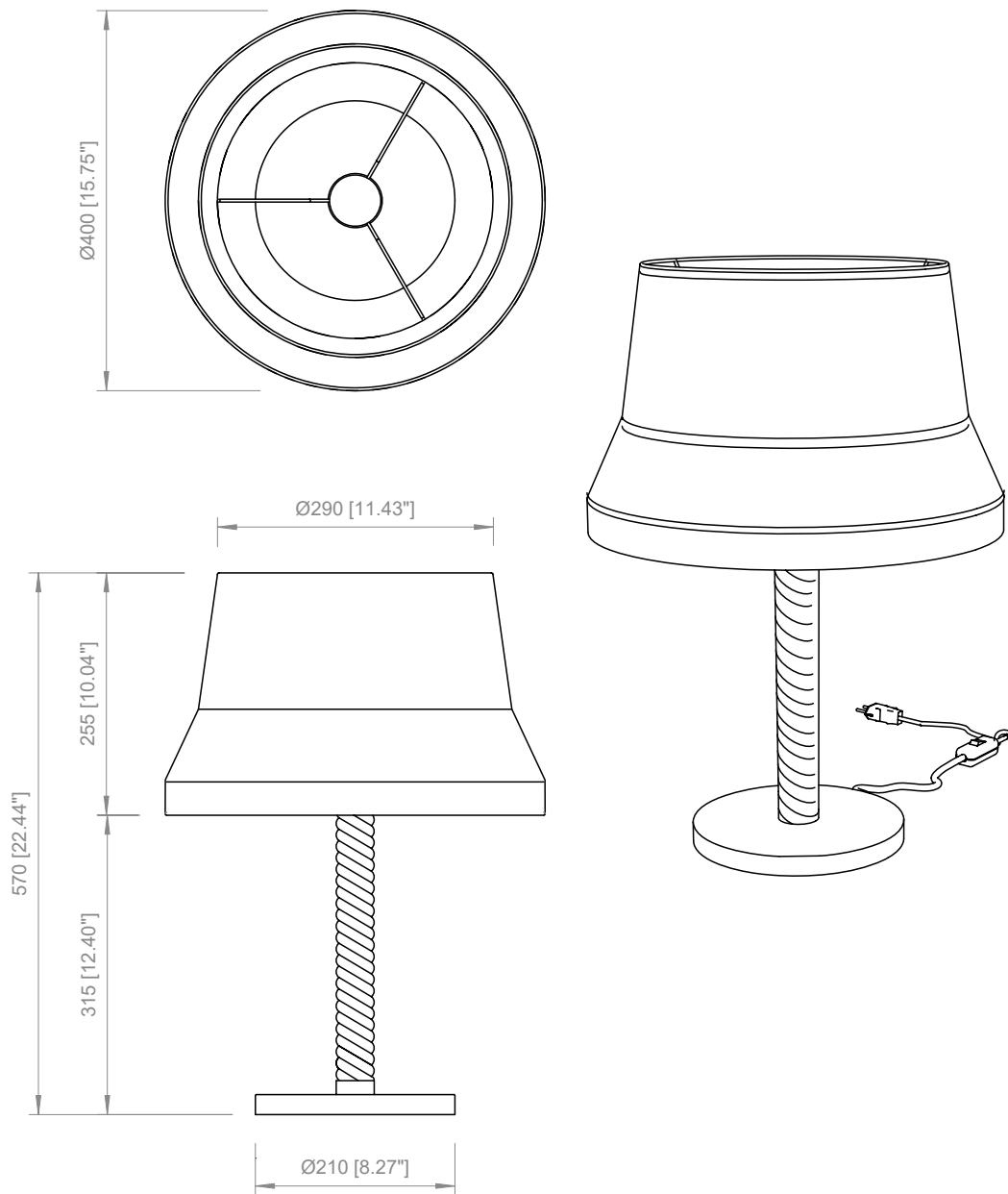
PRODOTTO / PRODUCT IMBALLI / PACKAGING

Peso-Weight	Box 1	Box 2
9 kg / 19.8 lbs	L: 520 mm / 20.5"	L: 440 mm / 17.3"
	P-W: 520 mm / 20.5"	P-W: 440 mm / 17.3"
	H: 320 mm / 12.6"	H: 240 mm / 9.4"
	Peso-Weight: 4 kg / 8.8 lbs	Peso-Weight: 8.5 kg / 18.7 lbs



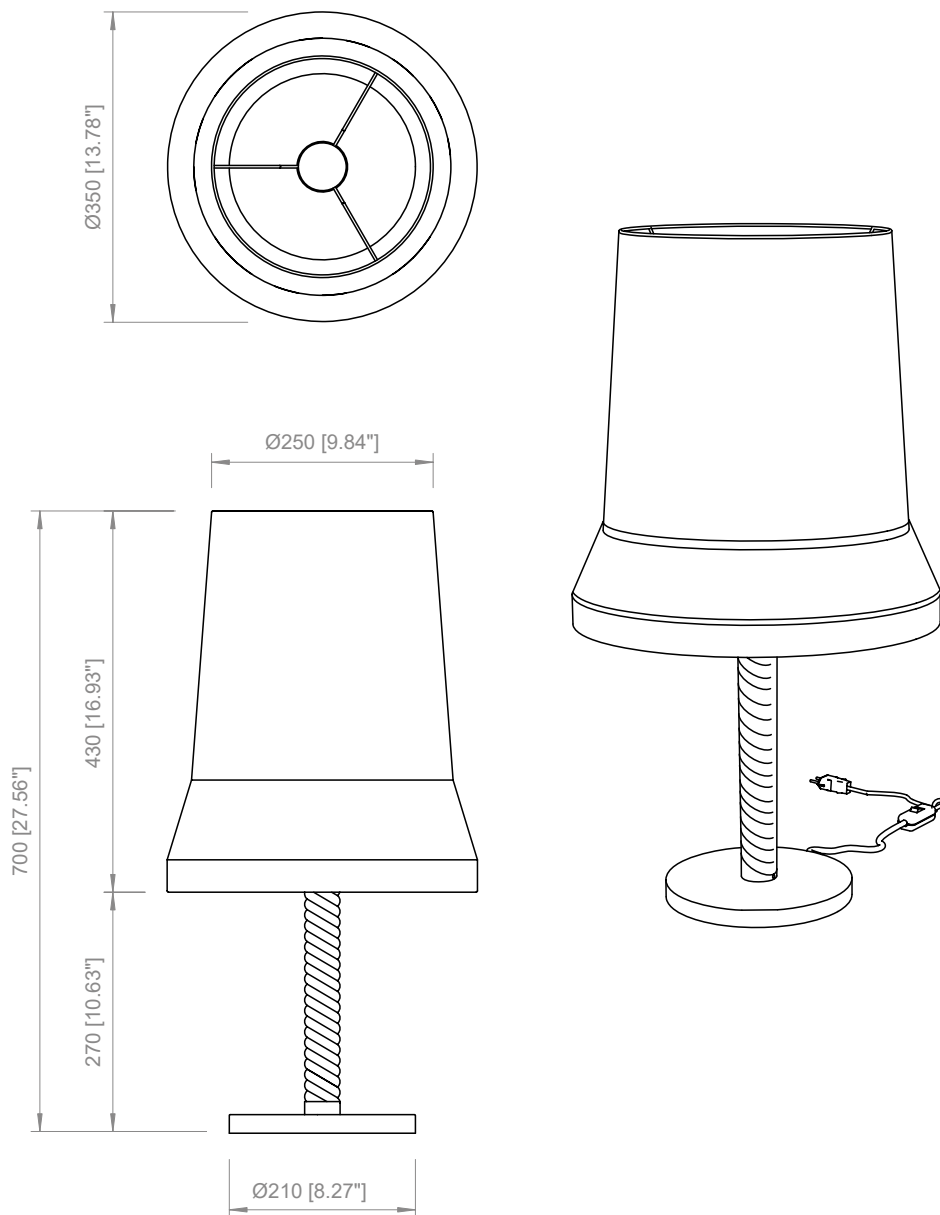
PRODOTTO / PRODUCT IMBALLI / PACKAGING

Peso-Weight 17.5 kg / 38.5 lbs	Box 2 L: 220 mm / 8.6" P-W: 220 mm / 8.6" H: 1920 mm / 75.6" Peso-Weight: 5 kg / 11 lbs	Box 2 L: 650 mm / 25.6" P-W: 650 mm / 25.6" H: 820 mm / 32.3" Peso-Weight: 6.5 kg / 14.3 lbs	Box 3 L: 250 mm / 9.8" P-W: 250 mm / 9.8" H: 200 mm / 7.8" Peso-Weight: 1 kg / 2.2 lbs	Box 4 L: 550 mm / 21.6" P-W: 550 mm / 21.6" H: 120 mm / 4.7" Peso-Weight: 12 kg / 26.4 lbs
------------------------------------------	------------------------------------------------------------------------------------------------------------	-----------------------------------------------------------------------------------------------------------------	-----------------------------------------------------------------------------------------------------------	---------------------------------------------------------------------------------------------------------------



PRODOTTO / PRODUCT IMBALLI / PACKAGING

Peso-Weight	Box 1	Box 2
2 kg / 4.4 lbs	L: 350 mm / 13.8"	L: 430 mm / 17"
	P-W: 320 mm / 12.6"	P-W: 430 mm / 17"
	H: 550 mm / 21.6"	H: 310 mm / 12.2"
	Peso-Weight: 2.5 kg / 5.5 lbs	Peso-Weight: 2.5 kg / 5.5 lbs



PRODOTTO / PRODUCT **IMBALLI / PACKAGING**

Peso-Weight	Box 1	Box 2
2 kg / 4.4 lbs	L: 350 mm / 13.8"	L: 400 mm / 15.7"
	P-W: 320 mm / 12.6"	P-W: 400 mm / 15.7"
	H: 550 mm / 21.6"	H: 500 mm / 19.6"
	Peso-Weight: 2.5 kg / 5.5 lbs	Peso-Weight: 2.5 kg / 5.5 lbs

Copyright and/or design rights subsist in this drawing. No part of this drawing may be reproduced in any material form (including photocopying or storing in any medium electronic means, whether or not intentionally and whether or not as part or a larger publication) without the express permission of the copyright owner, Contardi Lighting S.r.l.. Further and without prejudice to the above, this drawing and all information relating thereto is confidential, and shall not be communicated to a third party without the consent of Contardi lighting srl. Contardi lighting srl asserts all rights to be identified as the author of the work and otherwise.

WARNING: The doing of any unauthorised act in relation to a copyright work may result in both a civil claim for damages and criminal prosecution.

CONTARDI LIGHTING Srl

ITALY HEADQUARTERS

www.contardi-italia.com / sales@contardi-italia.it

CONTARDI USA Inc

USA BRANCH

www.contardi-usa.com / sales@contardi-usa.com

