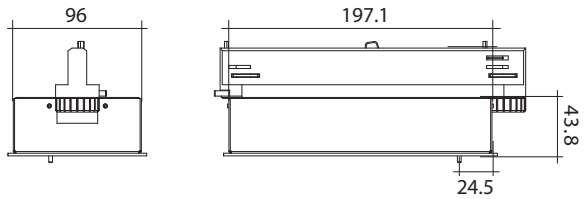
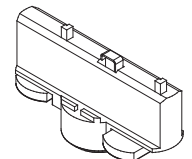
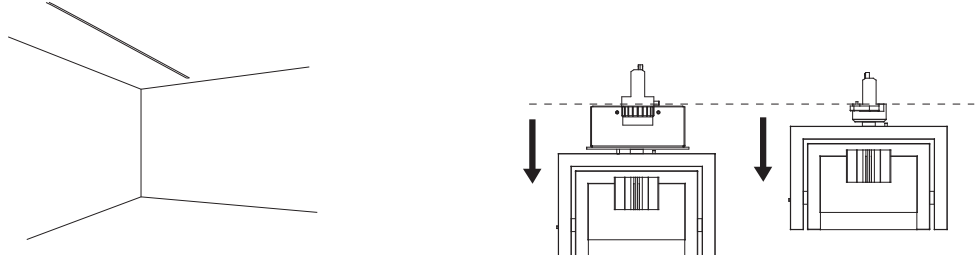
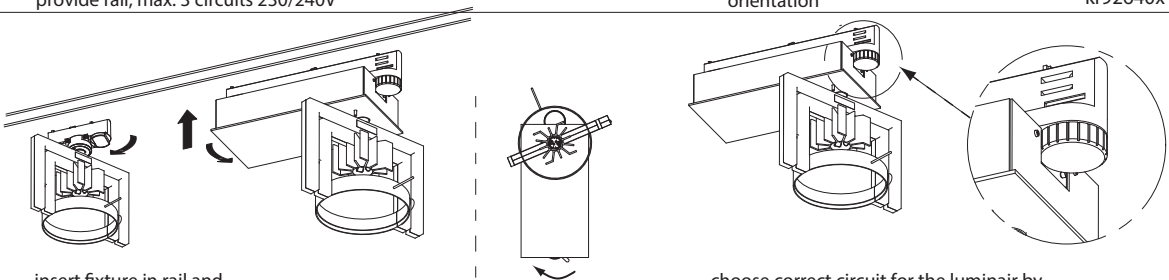
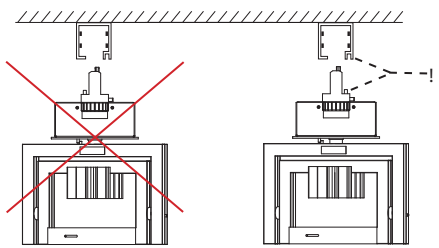
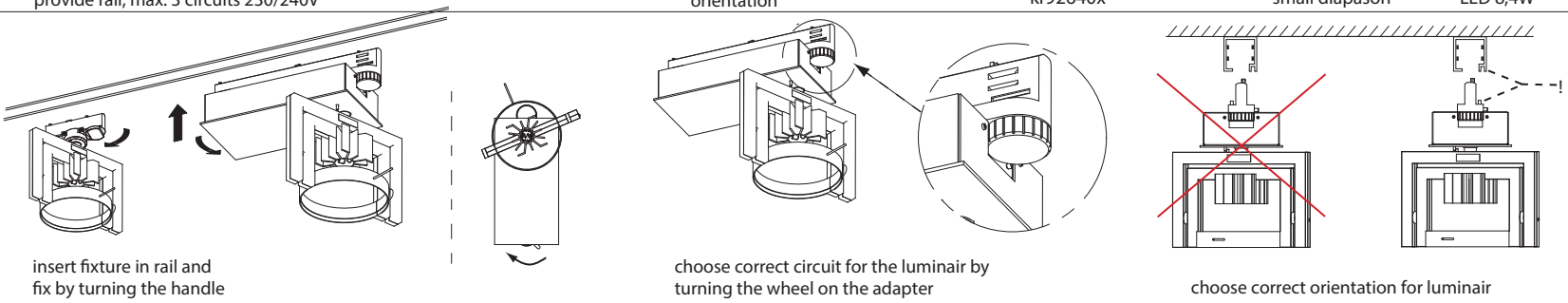


<p>technics</p> <p>Diapason multi adapter</p>  <p>Please make sure that mains voltage is disconnected before proceeding!</p> 	<p>Reference</p> <p>Name</p> <p>Type</p>	<p>kr92612x</p> <p>diapason</p> <p>QT12-ax 100W</p> <p>kr92658x</p> <p>diapason</p> <p>HIT-TC-CE 20W</p> <p>kr93658x</p> <p>diapason</p> <p>HIT-TC-CE 35W</p> <p>kr92611x</p> <p>diapason</p> <p>QR-LP111 100W</p> <p>kr92613x</p> <p>diapason</p> <p>QPAR30 75W</p> <p>kr93611x</p> <p>diapason cover</p> <p>QR-LP111 100W</p> <p>kr92657x</p> <p>diapason cover</p> <p>PLR eco 14-17 W</p> <p>kr92652x / kr93652x</p> <p>diapason cover</p> <p>HIT-Tc 35W/70W</p> <p>kr92651x</p> <p>diapason cover</p> <p>HIR-CE111 35W</p> <p>kr93651x</p> <p>diapason cover</p> <p>HIR-CE111 70W</p> <p>kr92653x</p> <p>diapason</p> <p>HIPAR-L30 35W</p> <p>kr93653x</p> <p>diapason</p> <p>HIPAR-L30 70W</p> <p>kr92610x</p> <p>small diapason</p> <p>QR-CBC51 50W</p> <p>kr92656x</p> <p>small diapason</p> <p>HIPAR20 35W</p> <p>kr92666x</p> <p>small diapason</p> <p>CDM-Tr51 20W</p> <p>kr92616x</p> <p>small diapason</p> <p>QPAR16 50W</p> <p>kr92640x</p> <p>small diapason</p> <p>LED 8,4W</p>
<p>1 dimensions</p>	<p>dimension topplate (LxWxH in mm): 205x104x2</p> <p>adapter in case of line voltage luminaire</p> 	
<p>2 rail</p>	<p>provide rail, max. 3 circuits 230/240V</p> <p>orientation</p> 	
<p>3 connection</p>	<p>insert fixture in rail and fix by turning the handle</p> <p>choose correct circuit for the luminaire by turning the wheel on the adapter</p> <p>choose correct orientation for luminaire</p> 	
<p>4 accessories</p>	<p>reflector : push in cooling profile</p> <p>lens, glass or filter : fix to frame with springs</p> <p>fixate QR-LP111 lamp with springs</p> <p>glare preventer : push until it snaps</p> <p>glare preventer + lens, glass or filter: use fixation spring</p> 