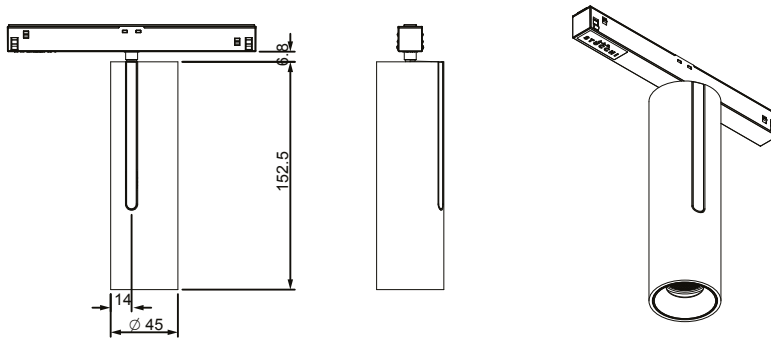


Technics



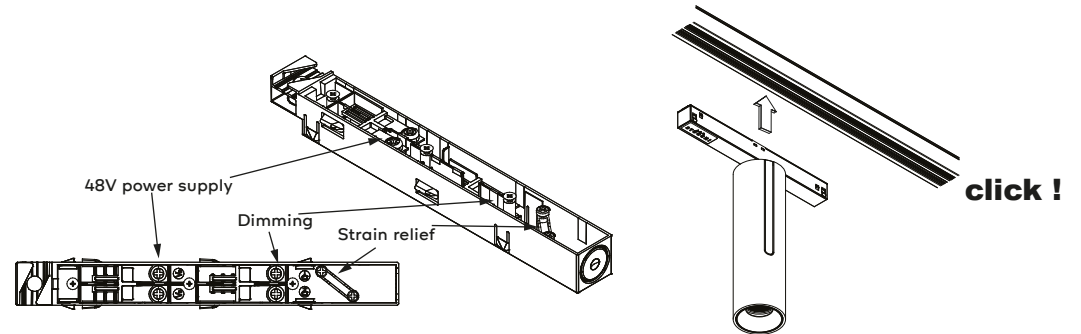
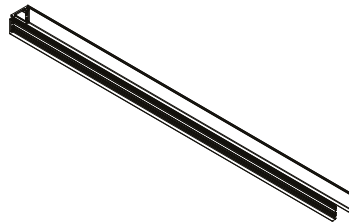
Name	Reference	Voltage
holon 40 directional on track	KR96261x-XXXX-XX-XX	48V

Precaution in case of fixtures with 1-10V dimming!

- It's not recommended to use 1-10V fixtures without connecting the 1-10V dimming cables on the track.
- It's not recommended to use 1-10V passive dimming on the 48V track, active dimming is preferred.
- If the 1-10V fixtures on the track don't function:
Take all of them out and mount them again one by one.
The moment a fixture causes a malfunction, take it out and rotate the adaptor 180°, in case of passive dimming the polarity needs to be the same on all fixtures.

1 Dimensions

Please make sure the main voltage is disconnected before proceeding!

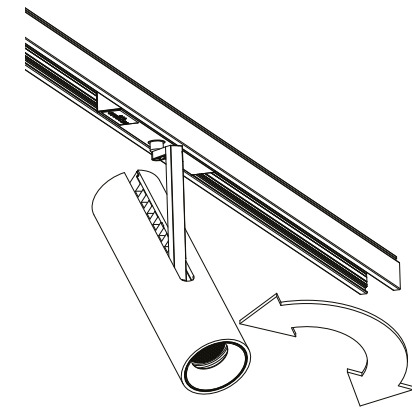
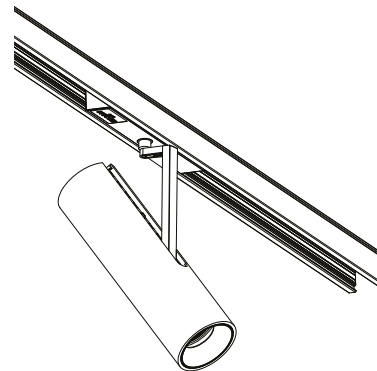
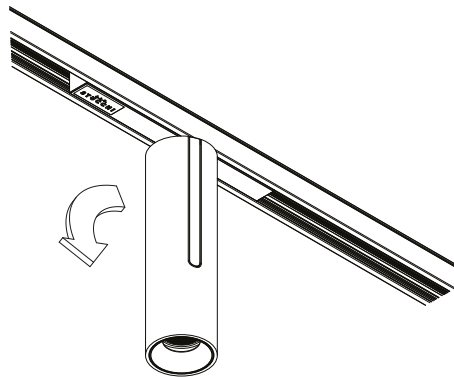


2 Installation

Install the Stucchi® low voltage track as prescribed by the supplier
Connect the track to a 48V power supply (connect dimming if necessary)

Install the Stucchi end-feed as prescribed
Supply 48V and dimming to the correct connector

Push the adaptor into the track until click!



Installation

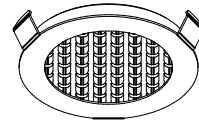
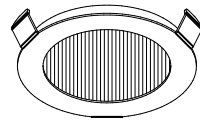
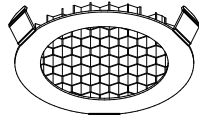
once the holon is completely installed
it can be inclined in any angle up to 90° by pullin the tube

it can also be rotated for 330°

KR762000

KR762100

KR762200



3 accessories

in case of accessories
check the manual KR8622102021 delivered with the accessory
only one accessory per holon



4 pictures