

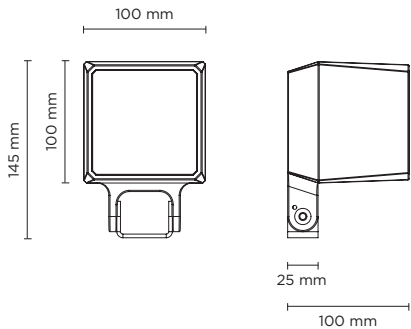


101605

# QUBO MINI HP

Designed by  
NAVA + AROSIO

Floodlight for outdoor installation on a façade/wall, with U shape fixing bracket allowing vertical adjustment of +90° / -40°. Phospho-chromatised and polyester powder coated die-cast copper-free aluminium base and head, tempered safety glass, moulded silicone gaskets, with screws in stainless steel. Built-in LED driver, with 1 x CREE "XHP35" LED. IP66 rating.



light source	light beam options	lumen output (lm)	lumin. efficacy (lm/w)
<b>3000°K warm-white</b>			
high-power led	4°	690	86.25
high-power led	10°	662	82.75
high-power led	28°	642	80.25
<b>4000°K neutral-white</b>			
high-power led	4°	703	87.88
high-power led	10°	676	84.50
high-power led	28°	656	82.00

**Finish color options:**

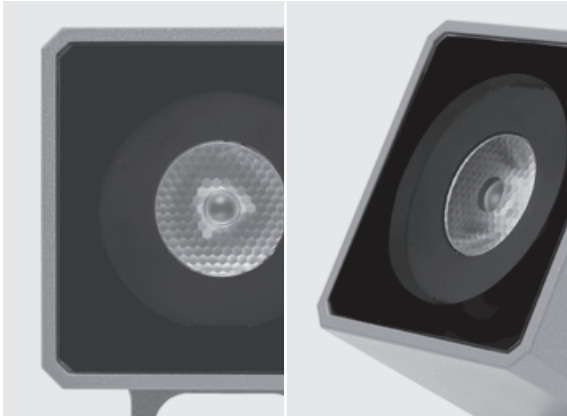
- Textured Grey RAL 9006
- Anthracite Grey RAL 7016
- Matt Black (on request)

**Technical features**



**Technical data**

Wattage	8 WATT
IP Rating	IP66
IK Rating	10
Material	High corrosion resistance die-cast copper-free aluminum body
Coating	Polyester powder coating with phosphochromating pre-finish
Light source	1 x CREE "XHP35" LED
Screws	Stainless steel
Transformer	Electrical power supply 220/240V 50/60Hz built-in
Gasket	Silicone rubber
Glass	Tempered
Power cable	1 mt. power cable included
Gross weight	1,30 Kg



## OTHER VIEW

---



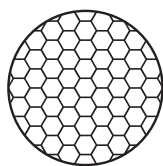
## OPTIONAL

---

AC044  
SPIKE



AC072  
HONEYCOMB LOUVER



AC076  
ANTI-GLARE VISOR



AC038  
TREE STRAP

