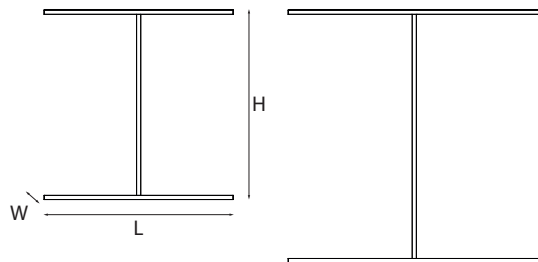
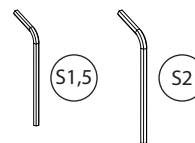


kreon

technics



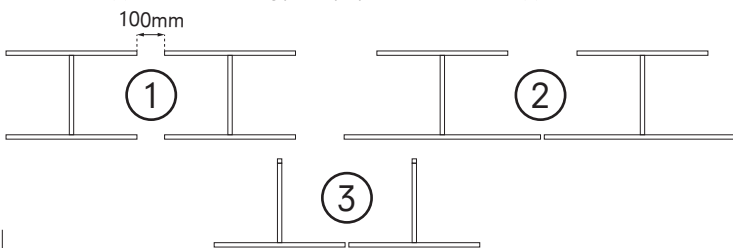
Name	Reference	voltage	wattage	B	C	LxWxH
Fuga 900	KR974262-yy-xx	230V	9,5W	50	435	900x20xYY
Fuga 1200	KR974362-yy-xx	230V	12,7W	50	435	1200x20xYY



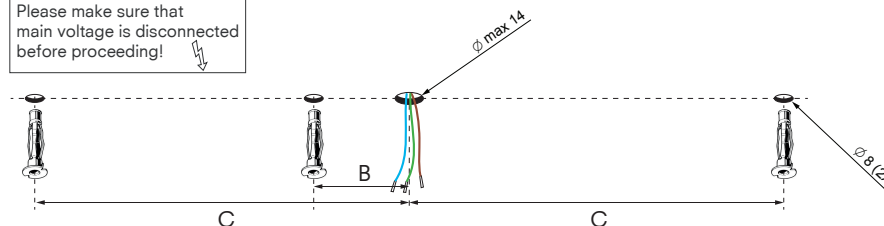
it is advised to only use metal anchor screws (M4, length depending on thickness drywall) instead of standard drywall plugs or universal plugs

1 installation

BE AWARE: when multiple fuga fixtures are placed next to each other, make sure there is a minimum distance of 100mm between the ceiling profiles (1). you can also use ceiling profiles that are smaller than the LED (2), or install the ceiling profile perpendicular to the LED (3).

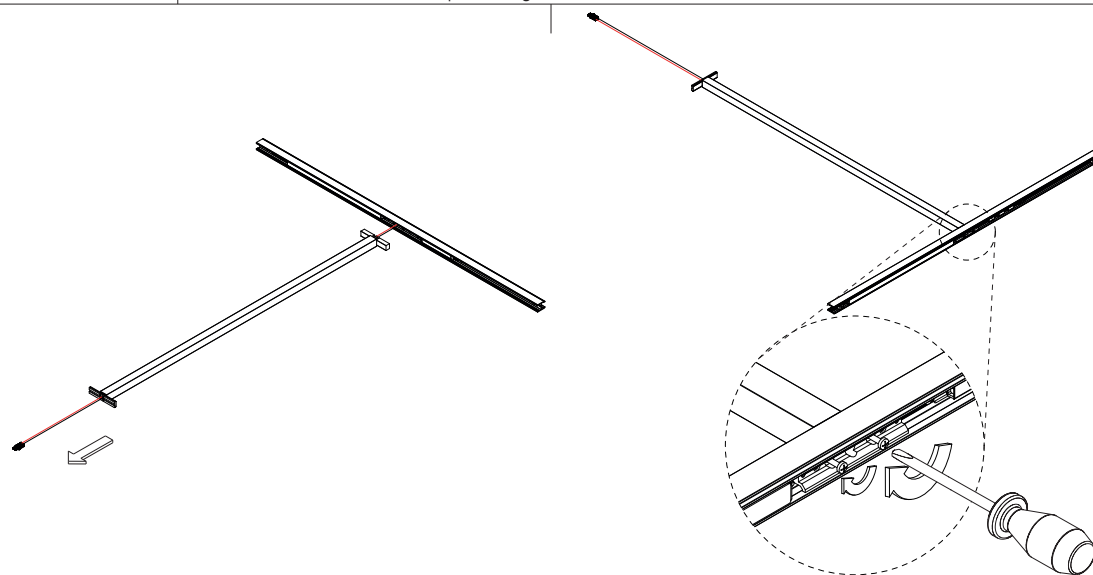
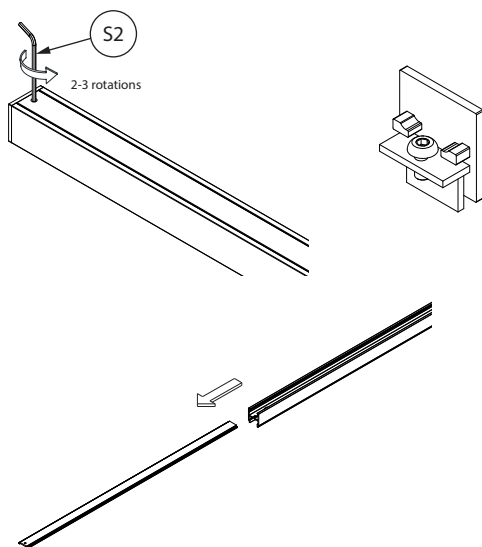


Please make sure that main voltage is disconnected before proceeding!



2 installation

cut round holes for the anchor screws and power supply cables, check the correct measurements on the table above, install the anchor screws before proceeding

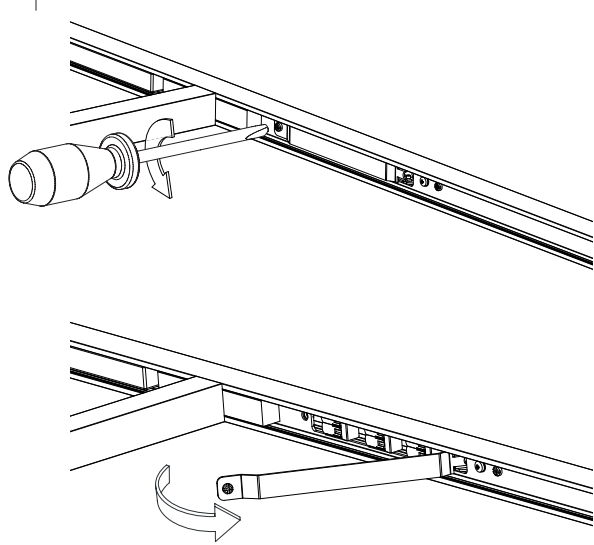


3 installation

remove the end-caps from the ceiling profile (profile without LED) by turning the hexagon key 2-3 times, keep the screw inside the end-cap for easier installation later and remove both cover profiles by sliding them out

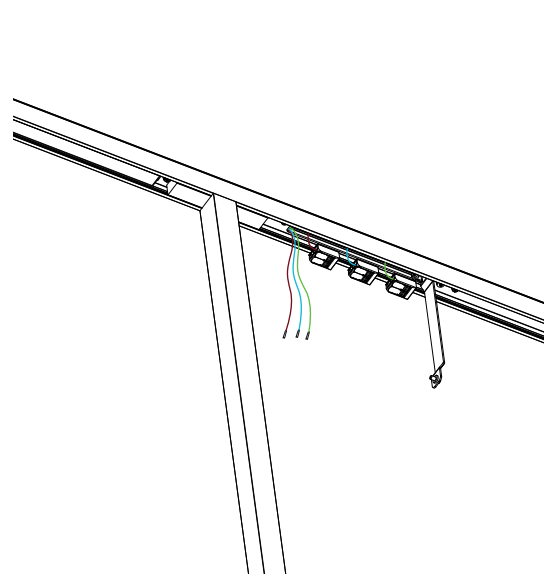
pre-assemble the vertical profile and ceiling profile on a flat, clean table simultaneously pull the LED cable through the coupler

screws for connecting the vertical profile to the ceiling profile are already pre-assembled on the ceiling profile

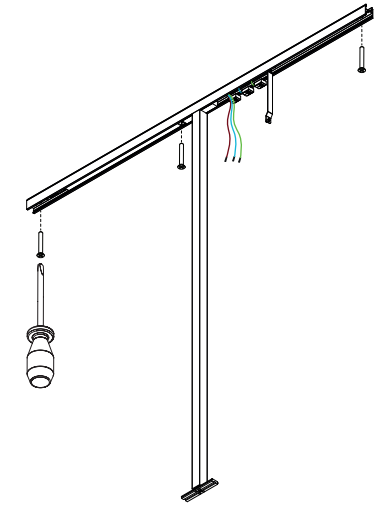


4 installation

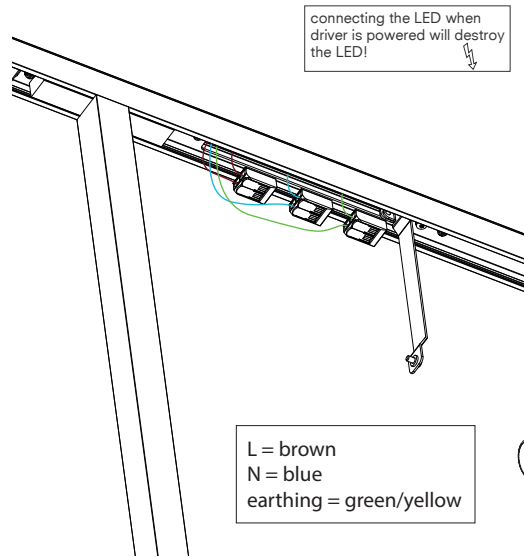
unscrew the connector cover and open it



pull the power supply cables through the opening

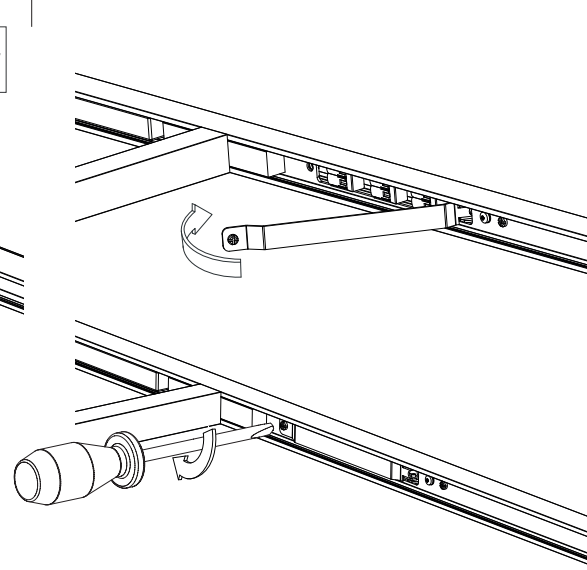


fixate the ceiling profile with three screws, make sure the cable does not interfere while doing so

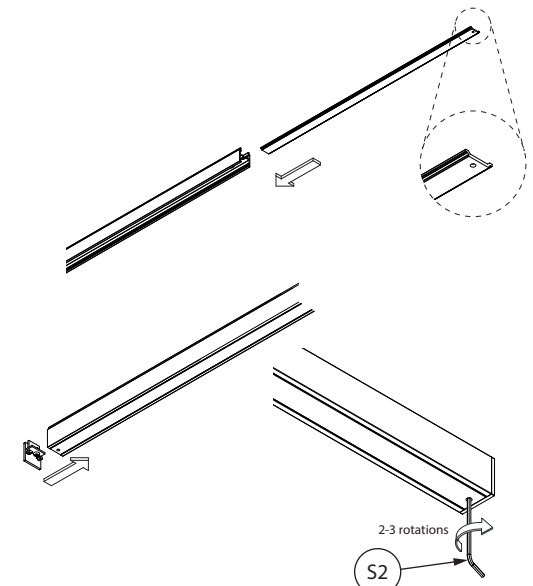


5 installation

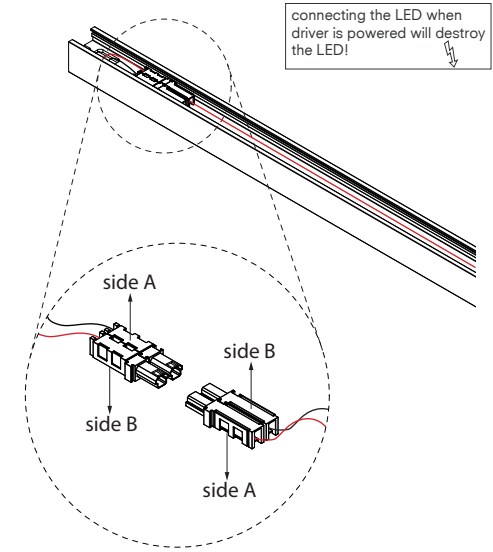
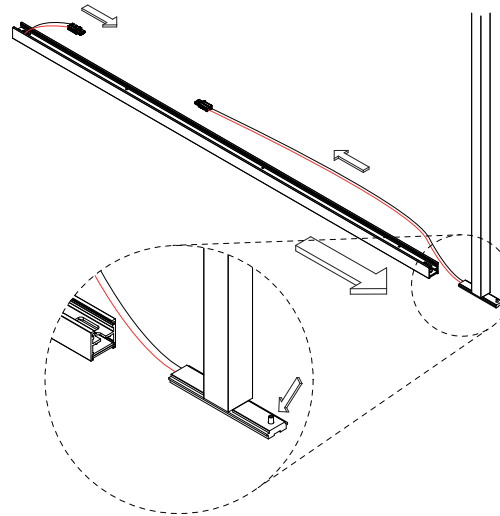
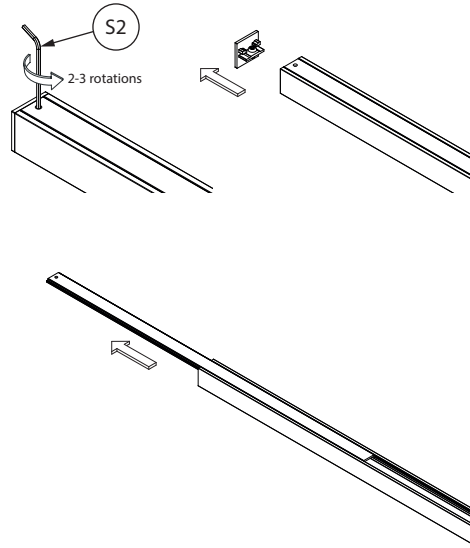
connect the power supply cables to the corresponding color



close the connector cover



slide the covers back into place (make sure the hole is on the outside) then put the end-caps back and fixate them with the hexagon key

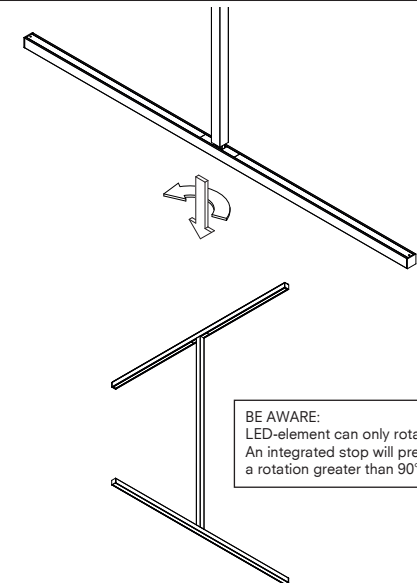
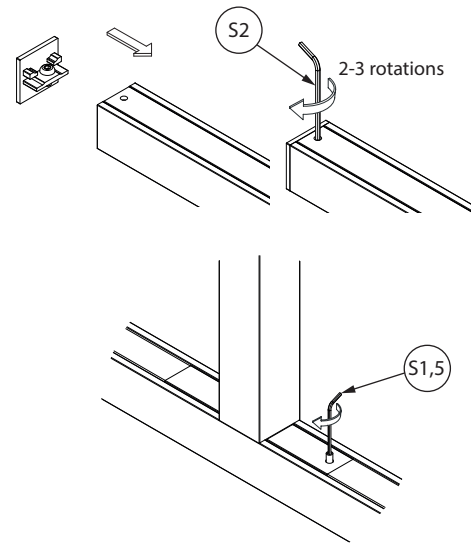
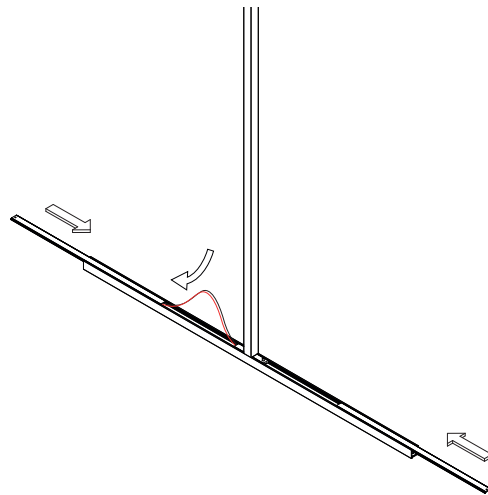


7 installation

remove end-caps and covers from the LED-element

slide the LED-element on the vertical from the correct side!
make sure the connectors are pointed towards each other and that the set screw is positioned on the other side!

connect the wire to wire connectors, make sure the colors match (red-red, black-black) and that they are sided opposite of each other

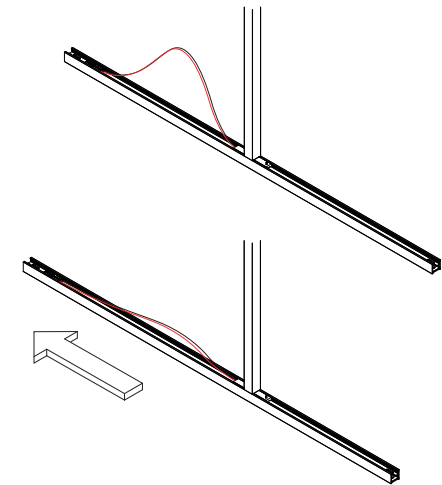
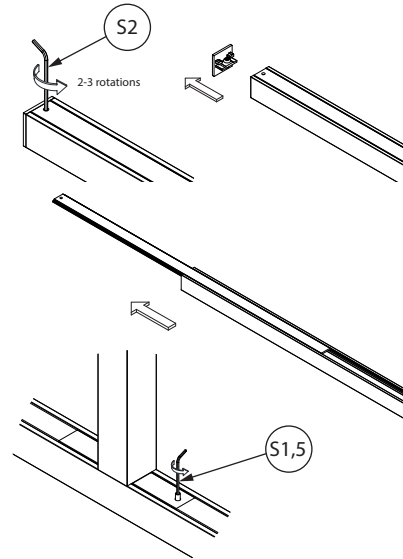
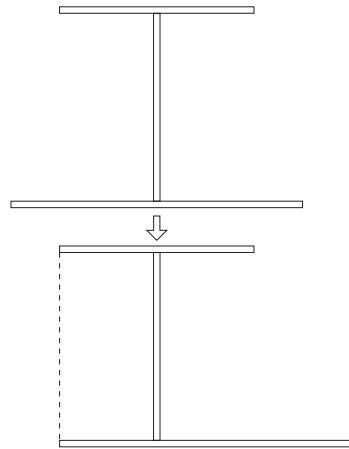


8 installation

slide the covers back into place, the cable must be tucked under the cover. (if you want the fuga asymmetrical, go to page 4)

re-attach the end-caps and fixate the socket set screw inside the coupler mechanism

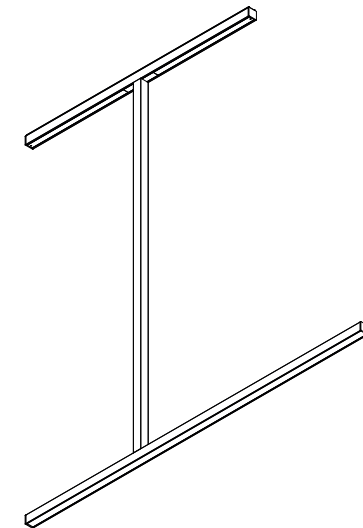
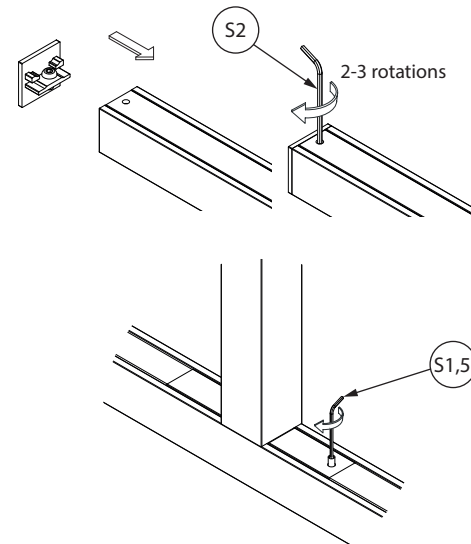
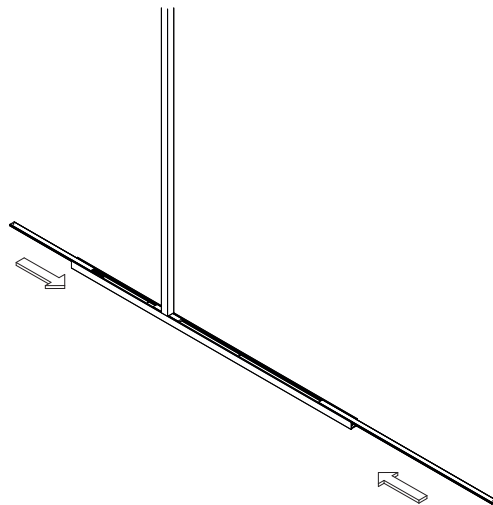
BE AWARE:
fuga can only be placed asymmetrical if
the ceiling profile is smaller than the LED



9 accessoires

to place the LED asymmetrical to the vertical profile, first remove the end-caps and covers and unscrew the socket set screw in the coupler mechanism

slide the LED asymmetrical. Make sure the vertical profile slides away from the connectors



10 accessoires

slide the asymmetrical covers into place

re-attach the end-caps and fixate the socket set screw inside the coupler mechanism