

# Heathfield&Co

## Product Specification Sheet

CEILING LIGHT | DERWENT SMALL CUBE



### PRODUCT INFORMATION

Base Code: PD-DERW-ABRS-SCB

Material: Metal

Finish shown: Antique Brass

Lampshade: 8" Medium Drum / SH-08-MEDR-DSC

Flex: UK & EU 1.5 metres of Chocolate twisted flex / US Chocolate twisted flex. 1 metre of chain.

### TECHNICAL INFORMATION

Weight: 1.6kg / 3.5lbs

Switching & Plug: Hardwired

Lamping: 1x E27 lampholder / 1x E26 US lampholder

40W max. LED lamps recommended.

Lamps not included

TOTAL HEIGHT: 1250 mm / 49"

TOTAL WIDTH: 250 mm / 9<sup>3/4</sup>"

UKCA / CE / UL COMPLIANT

### WARRANTY

10 years\*

### FINISHING NOTE

All metalwork is handcrafted and may vary from piece to piece with slight variation in finish and detailing.

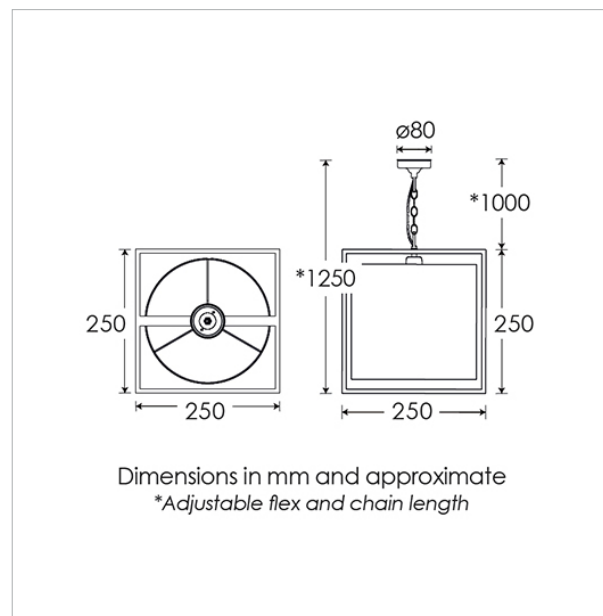
### CLEANING INSTRUCTIONS

The finishes on this luminaire only require regular cleaning with a soft dry duster. Abrasive or chemical cleaners may harm the finish and should not be used. Shade to be dusted with a clean dry cloth.

### FIXING NOTE

It is the buyer's responsibility to ensure that suitable fixings are used.

\*Please refer to our Terms & Conditions for further information.



H&CO

LIGHT BEYOND DESIGN

# Heathfield&Co

## Product Specification Sheet

CEILING LIGHT | DERWENT MEDIUM CUBE



### PRODUCT INFORMATION

Base Code: PD-DERW-ABRS-MCB

Material: Metal

Finish shown: Antique Brass

Lampshade: 14" Flat Drum / SH-14-FLDR

Flex: UK & EU 1.5 metres of Chocolate twisted flex / US Chocolate twisted flex. 1 metre of chain.

### TECHNICAL INFORMATION

Weight: 2.1kg / 4.6lbs

Switching & Plug: Hardwired

Lamping: 1x E27 lampholder / 1x E26 US lampholder

40W max. LED lamps recommended.

Lamps not included

TOTAL HEIGHT: 1250 mm / 49"

TOTAL WIDTH: 420 mm / 16"

UKCA / CE / UL COMPLIANT

### WARRANTY

10 years\*

### FINISHING NOTE

All metalwork is handcrafted and may vary from piece to piece with slight variation in finish and detailing.

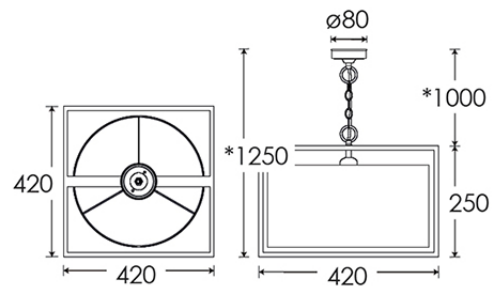
### CLEANING INSTRUCTIONS

The finishes on this luminaire only require regular cleaning with a soft dry duster. Abrasive or chemical cleaners may harm the finish and should not be used. Shade to be dusted with a clean dry cloth.

### FIXING NOTE

It is the buyer's responsibility to ensure that suitable fixings are used.

\*Please refer to our Terms & Conditions for further information.



Dimensions in mm and approximate  
\*Adjustable flex and chain length

H&CO

LIGHT BEYOND DESIGN

# Heathfield&Co

## Product Specification Sheet

CEILING LIGHT | DERWENT LARGE CUBE



### PRODUCT INFORMATION

Base Code: PD-DERW-ABRS-LCB

Material: Metal

Finish shown: Antique Brass

Lampshade: 12" Medium Drum / SH-12-MEDR

Flex: UK & EU 1.5 metres of Chocolate twisted flex / US Chocolate twisted flex. 1 metre of chain.

### TECHNICAL INFORMATION

Weight: 2.3kg / 5lbs

Switching & Plug: Hardwired

Lamping: 1x E27 lampholder / 1x E26 US lampholder

40W max. LED lamps recommended.

Lamps not included

TOTAL HEIGHT: 1350 mm / 53"

TOTAL WIDTH: 350 mm / 13<sup>3/4</sup>"

UKCA / CE / UL COMPLIANT

### WARRANTY

10 years\*

### FINISHING NOTE

All metalwork is handcrafted and may vary from piece to piece with slight variation in finish and detailing.

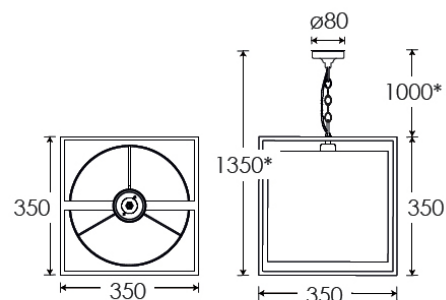
### CLEANING INSTRUCTIONS

The finishes on this luminaire only require regular cleaning with a soft dry duster. Abrasive or chemical cleaners may harm the finish and should not be used. Shade to be dusted with a clean dry cloth.

### FIXING NOTE

It is the buyer's responsibility to ensure that suitable fixings are used.

\*Please refer to our Terms & Conditions for further information.



Dimensions in mm and approximate  
\*Adjustable flex and chain length

H&CO

LIGHT BEYOND DESIGN