



Struttura in metallo ricoperto in vetro, pendagli in cristallo, illuminazione LED.

Metal frame covered with glass, crystal pendants, LED lighting system.

Metallstruktur mit transparentem Glas bedeckt, Kristall-Gehänge, LED Lichtsystem

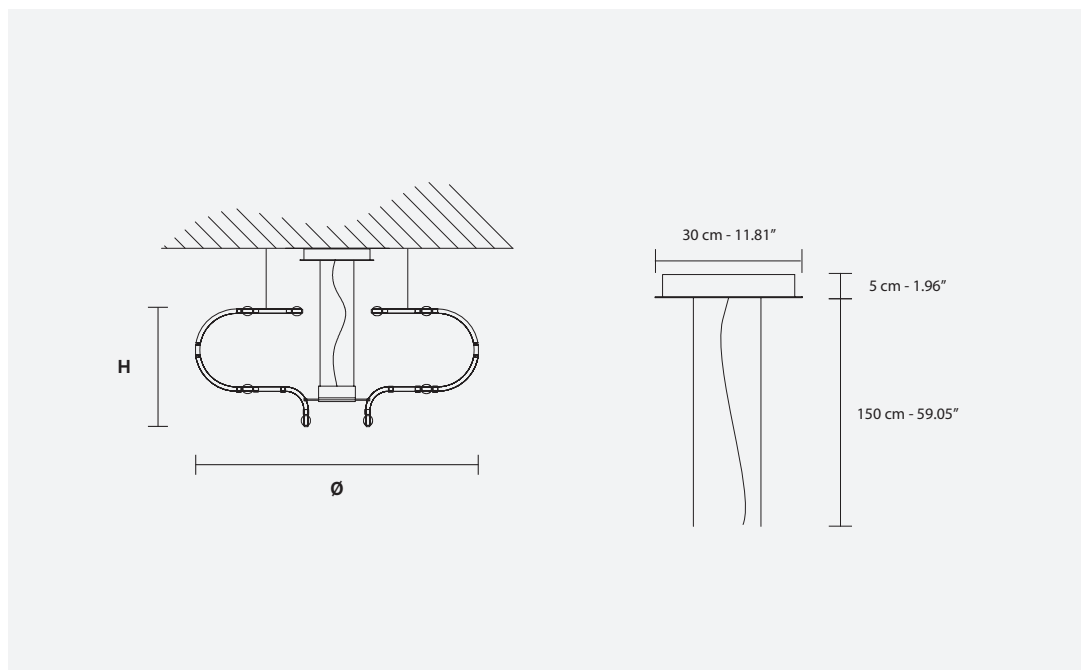
Structure métallique recouverte de verre, pendentifs en cristal, éclairage LED

Металлический каркас, покрытый стеклом, подвесы из хрусталя, светодиодное освещение.

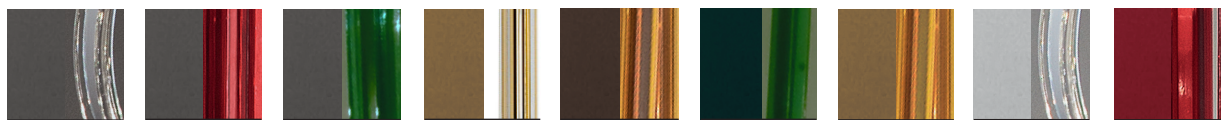


H 50 cm / 19.68"  
 Ø 120 cm / 47.24"

LED x 128 W CRI>80  
 3000 K - 13600 lm  
**Dimmable: PUSH\***

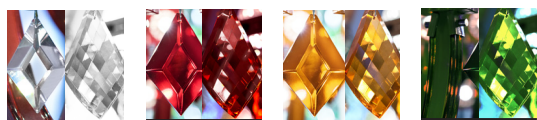


## FRAME + GLASS



Chrome Transparent    Chrome Red    Chrome Green    Gold Transparent    Brown Orange    Green Green    Gold Orange    White Transparent    Red Red

## PENDANTS



Transparent    Red    Orange    Green

\* "UL" logo refers to articles which can be modified with UL-compliant components. The "UL" listing mark stands for tested and evaluated product to recognized us safety standards.