

SCALLOP LOOPED | SCALLOP LOOPED 280 TABLE LAMP | SCA-LOOP-280(MED)-TBL



DESCRIPTION

A 280mm Dia. simple classic 'scallop-loop' table lamp. Made from lasercut stainless steel frames, chrome plated or lacqured, solid brass components and ballchain in several optional finishes. Illuminated by a pyrex glass ball containing a G9-Halogen or LED lamp.

PRODUCT SIZE

SHADE SIZE: 280W X 500-700H MM / TOTAL HEIGHT: 750MM

PACKAGING DIMENSIONS

400MM(W) X 400MM(L) X 870MM(H)



LAMP TYPE & NO

1 X G9-HALOGEN 33-60 WATT LAMPS (33-60W) OR LED

CLASS II
IP RATING 20
QC RATING 21

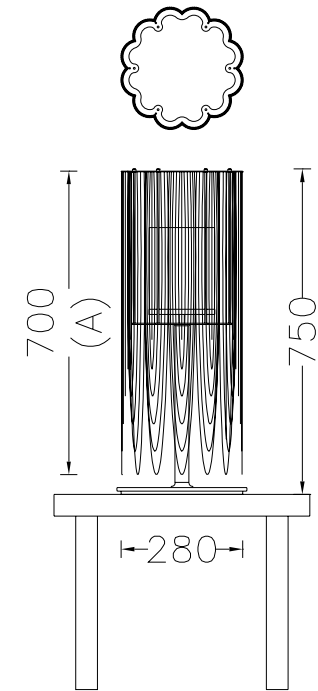
VOLTAGE RANGE
114 - 240V

PRODUCT MARKS & RATINGS



WEIGHT 9KG
PACKED 14KG
WEIGHT

TECHNICAL DRAWING



INTERACT

SELECT COLOUR

- SILVER *
- BRASS *
- COPPER *
- SMOKE *
- MIXED METALIC *
- RUST *
- WHITE
- RED
- BLACK

* METALLIC

CUSTOMISE DIMENSIONS

A

LAMP TYPE

QUANTITY

ADDITIONAL COMMENTS