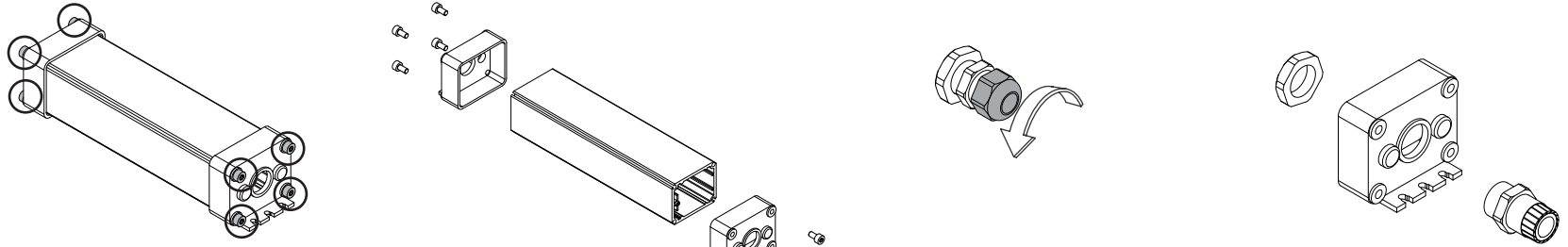


name	reference	voltage/current
700mA, 1-10V driver + IP66 gearbox	KR772732	230V/700mA
700mA, dali driver + IP66 gearbox	KR772733	230V/700mA
700mA, dali driver, 14W + IP66 gearbox	KR772833	230V/700mA
1050mA, 1-10V driver + IP66 gearbox	KR772842	230V/1050mA
1050mA, dali driver + IP66 gearbox	KR772843	230V/1050mA

1 references



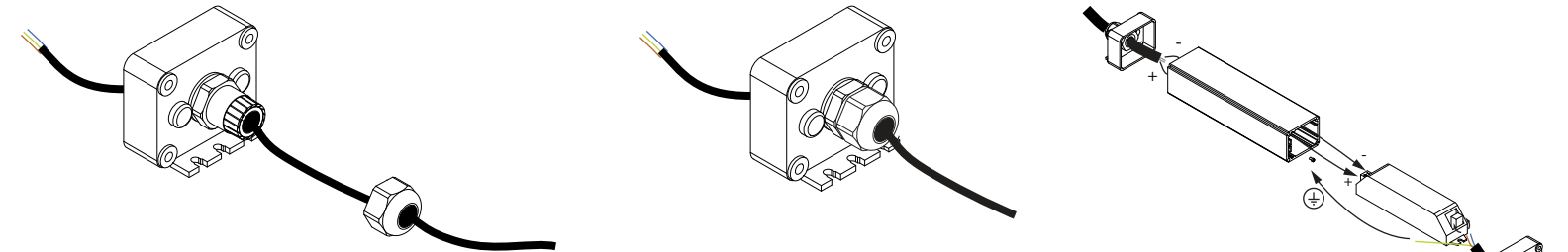
2 installation

take out the eight M4 torx screws

take off the end caps

take off the head nut of the delivered cable glands, by unscrewing it

install the cable glands on the end caps using the large nut. Fix it really tight.



first pull the cable through the head nut and then through the cable gland in the end cap

NOTE:

- endcap 1 = cable for mains
- endcap 2 = cable coming from lighting fixture

tighten the head nut but not completely, the cable still should be able to move

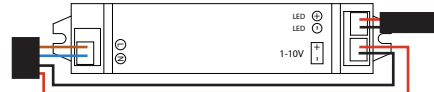
make the electrical connection on both sides of the gear connect the ground cable to the ground screw provided in the gearbox

installation

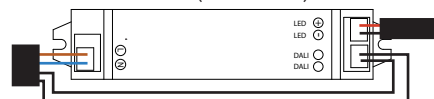
in case of on/off



in case of 1-10V dimmable

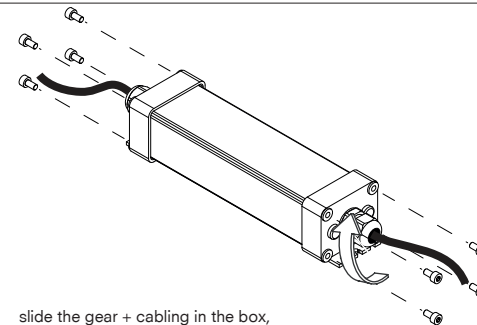


in case of dali dimmable (no touch dim!)



IMPORTANT: check polarity of the LED!!

- + and - at driver side must match
- + and - at LED side
- + = red wire
- = black wire



slide the gear + cabling in the box, put the endcaps back on tighten the heads of the cable glands firmly, until the cable cannot move anymore close the gearbox with the 8 screws. Fix them tightly