

NARCISO wall lamp

Matteo Ugolini design

year 2019

DATA SHEET - **AP202AD INT**

LAMP "A"

material aluminum
colour matt white

ELECTRICAL SYSTEM

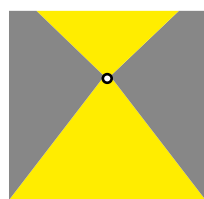
source 2x LED
top 9,2W, 1162lumen
down 6,4W, 610lumen
(tot 1772 lumen)
3000K CRI ≥ 80
class A+

PACKAGING

n° cartons 1
net weight/kg 0,8
gross weight/kg 1,3
packaging/cm 24x24x39

LIGHT EMISSION

bidirectional



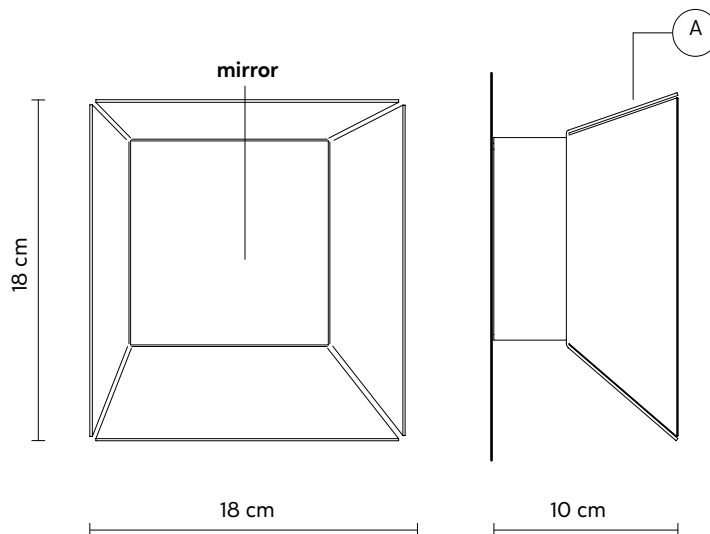
 direct
 filtered
 indirect
 absence

COMPLIANT WITH

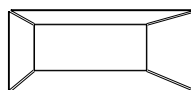
IEC 60598-1:2014
EN 60598-1:2015



degree of protection IP20
LED equipped



COLLECTION



AP202 BD INT