

# Heathfield&Co

## Product Specification Sheet

WALL LIGHT | CHARLIE SATIN BRASS



### PRODUCT INFORMATION

Base Code: WL-CHAR-SBRS-ALAB

Material: Metal

Finish shown: Satin Brass

### TECHNICAL INFORMATION

Weight: 0.9kg / 2lbs

Switching & Plug: Hardwired

Lamping: 1x G9 lampholder / 1x G9 US lampholder

25W max. LED lamps recommended.

Lamps not included

TOTAL HEIGHT: 280 mm / 11"

TOTAL WIDTH: 100 mm / 4"

PROJECTION: 170 mm / 6<sup>3</sup>/<sub>4</sub>"

UKCA / CE / WIRED USING US COMPONENTS

### WARRANTY

10 years\*

### FINISHING NOTE

Alabaster is a natural material with distinctly unique formations, markings and colouration. It is part of its charm that no two lamps are exactly the same.

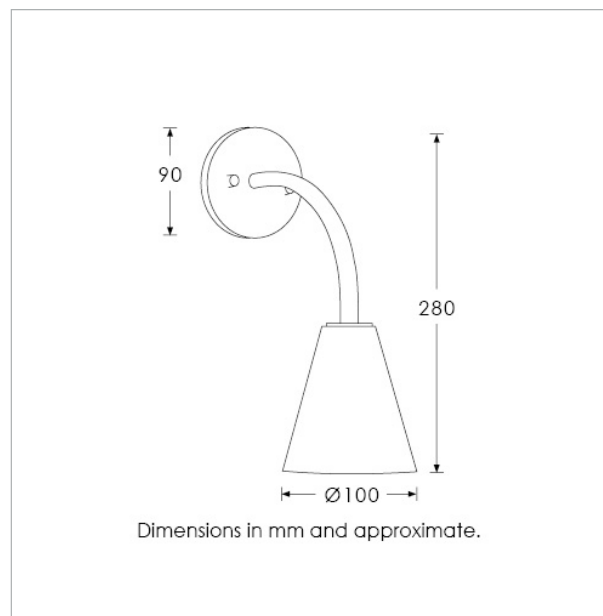
### CLEANING INSTRUCTIONS

The finishes on this luminaire only require regular cleaning with a soft dry duster. Abrasive or chemical cleaners may harm the finish and should not be used.

### FIXING NOTE

It is the buyer's responsibility to ensure that suitable fixings are used.

\*Please refer to our Terms & Conditions for further information.



H&  
CO

LIGHT BEYOND DESIGN

# Heathfield&Co

## Product Specification Sheet

WALL LIGHT | CHARLIE BLACKENED BRONZE



### PRODUCT INFORMATION

Base Code: WL-CHAR-BRNZ-ALAB

Material: Metal

Finish shown: Blackened Bronze

### TECHNICAL INFORMATION

Weight: 0.9kg / 2lbs

Switching & Plug: Hardwired

Lamping: 1x G9 lampholder / 1x G9 US lampholder

25W max. LED lamps recommended.

Lamps not included

TOTAL HEIGHT: 280 mm / 11"

TOTAL WIDTH: 100 mm / 4"

PROJECTION: 170 mm / 6<sup>3/4</sup>"

UKCA / CE / WIRED USING US COMPONENTS

### WARRANTY

10 years\*

### FINISHING NOTE

Alabaster is a natural material with distinctly unique formations, markings and colouration. It is part of its charm that no two lamps are exactly the same.

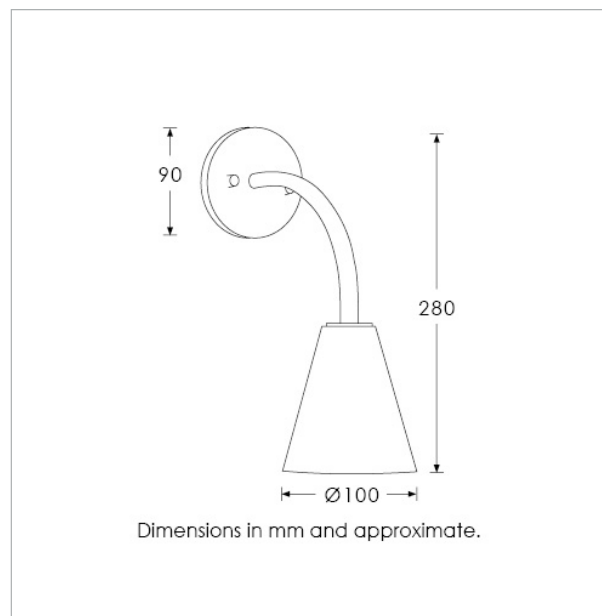
### CLEANING INSTRUCTIONS

The finishes on this luminaire only require regular cleaning with a soft dry duster. Abrasive or chemical cleaners may harm the finish and should not be used.

### FIXING NOTE

It is the buyer's responsibility to ensure that suitable fixings are used.

\*Please refer to our Terms & Conditions for further information.



H&CO

LIGHT BEYOND DESIGN