

# CIRCULAR WILLOW | CIRCULAR WILLOW 150 TABLE LAMP | CIR-WIL-150(SML)-TBL



## DESCRIPTION

A 150mm Dia. simple classic `circular-willow` table lamp. Made from lasercut stainless steel frames, chrome plated or lacqured, solid brass components and ballchain in several optional finishes. Illuminated by a pyrex glass ball containing a G9-Halogen or LED lamp.

## PRODUCT SIZE

SHADE SIZE: 150W X 350-520H MM / TOTAL HEIGHT: 620MM

## PACKAGING DIMENSIONS

300MM(W) X 300MM(L) X 800MM(H)



## LAMP TYPE & NO

1 X G9-HALOGEN 33-60 WATT LAMPS (33-60W) OR LED

CLASS II  
IP RATING 20  
QC RATING 21

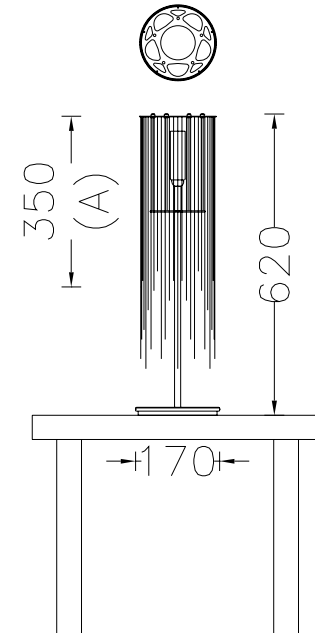
 VOLTAGE RANGE  
111 - 240V

PRODUCT MARKS & RATINGS



 WEIGHT 3KG  
PACKED 7KG WEIGHT

## TECHNICAL DRAWING



## INTERACT

### SELECT COLOUR

- SILVER \*
- BRASS \*
- COPPER \*
- SMOKE \*
- MIXED METALIC \*
- RUST \*
- WHITE
- RED
- BLACK

\* METALLIC

### CUSTOMISE DIMENSIONS

A

### LAMP TYPE

QUANTITY

### ADDITIONAL COMMENTS