

Heathfield&Co

Product Specification Sheet

FLOOR LAMP | FINLEY



PRODUCT INFORMATION

Base Code: FL-FINL-BRNZ-PEBL

Material: Metal & Ceramic

Finish shown: Pebble

Metalwork: Blackened Bronze

Lampshade: 12" Finley Tall Drum / SH-12-TLDR-FIN

Flex: UK & EU 1.5 metres of Black braided flex /

US Black braided flex

TECHNICAL INFORMATION

Weight: 4.5kg / 10lbs

Plug: Black 13amp UK plug /

Black Schuko EU plug / Black US polarised plug

Switching: Black foot switch

Lamping: 1x E27 lampholder / 1x E26 US lampholder

60W max. LED lamps recommended.

Lamps not included

BASE HEIGHT: 855 mm / 33¹/₂"

TOTAL HEIGHT: 1325 mm / 52"

BASE WIDTH: 270 mm / 10³/₄"

SHADE WIDTH: 300 mm / 11³/₄"

UKCA / CE / UL COMPLIANT

WARRANTY

10 years*

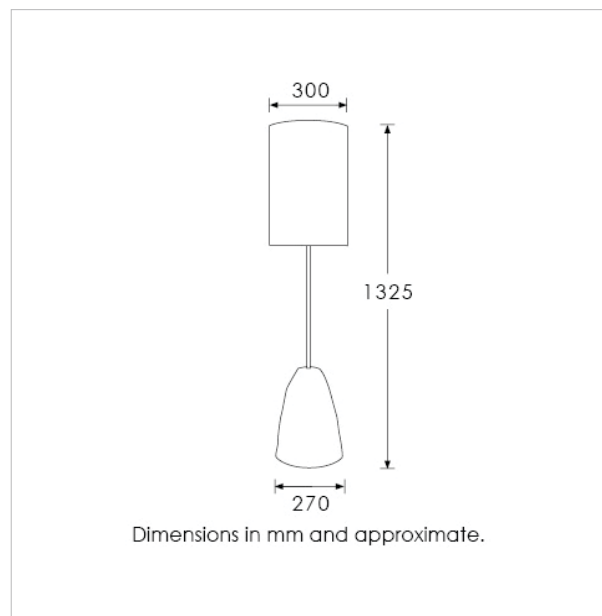
FINISHING NOTE

The ceramic glazes that we have used on this lamp will create differences from piece to piece - variations in colour, formation and detailing. As such, it is part of the charm that no two products are exactly the same.

CLEANING INSTRUCTIONS

The finishes on this luminaire only require regular cleaning with a soft dry duster. Abrasive or chemical cleaners may harm the finish and should not be used. Shade to be dusted with a clean dry cloth.

*Please refer to our Terms & Conditions for further information.



H&
CO

LIGHT BEYOND DESIGN

www.heathfield.co.uk | +44 (0) 1732 350450 | sales@heathfield.co.uk
Unit 1, Priory Road, Tonbridge, Kent, TN9 2AF, United Kingdom. This specification is subject to our standard Terms & Conditions, a copy of which can be found at heathfield.co.uk. © 2023 Heathfield & Co. All rights reserved.