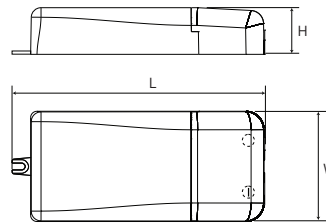
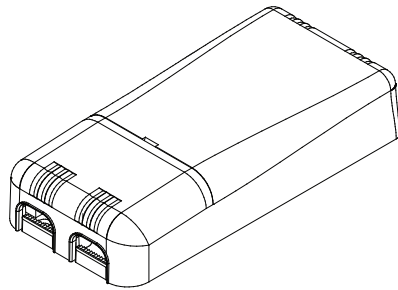


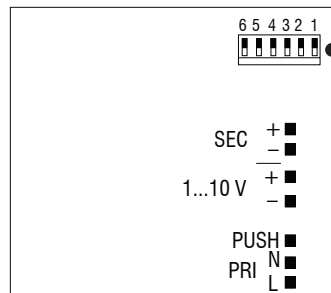
## technics

Productname	Reference	Max. Power	Output Current	Mains Voltage	Forward Voltage
LED driver, 350-900mA, 1-10V & PUSH	kr772232	20W	700mA	220V - 240V	29V max.
LED driver, 350-900mA, 1-10V & PUSH	kr772022	20W	500mA	220V - 240V	40V max.



L 118mm x W 52mm x H 22mm

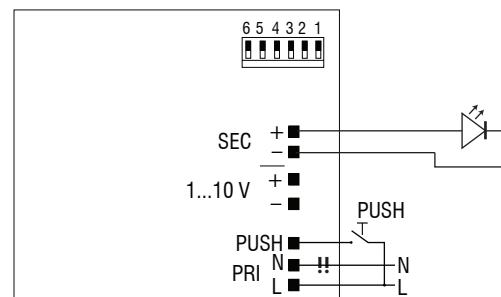
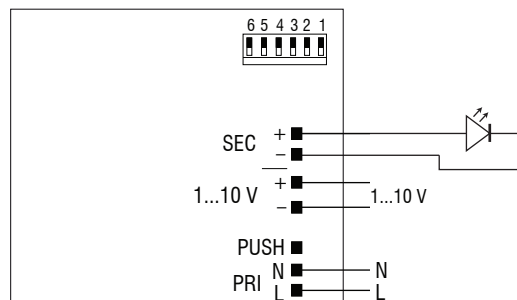
## 1 specifications



reference	Pout	SEC	6	5	4	3	2	1
kr772232	20W	700mA	ON	ON	-	-	-	-
kr772022	20W	500mA	ON	-	-	-	-	-

## 2 dipswitch

set the dipswitches at the correct current



**ALWAYS CONNECT THE RED LED STRING TO +  
ALWAYS CONNECT THE BLACK LED STRING TO -  
ENSURE THE DRIVER HAS NOT BEEN POWERED FOR  
AT LEAST 1 MIN. BEFORE CONNECTING THE LED  
CONNECT LEDS IN SERIES AND NOT IN PARALLEL**

## 3 connection

1-10V wiring diagram

PUSH wiring diagram