

# Heathfield&Co

## Product Specification Sheet

TABLE LAMP | LUCA TERRACOTTA



### PRODUCT INFORMATION

Base Code: TL-LUCA-SBRS-TERA

Material: Glass, Metal & Ceramic

Finish shown: Terracotta

Metalwork: Satin Brass

Flex: UK & EU 1.5 metres of Oatmeal braided flex /

US Oatmeal braided flex

### TECHNICAL INFORMATION

Weight: 0.6kg / 1.3lbs

Plug: White 13amp UK plug /

White Schuko EU plug / White US polarised plug

Switching: White inline switch

Lamping: 1x G9 lampholder / 1x G9 US lampholder

20W max. LED lamps recommended.

Lamps not included

BASE HEIGHT: 55 mm / 2<sup>1</sup>/<sub>4</sub>"

TOTAL HEIGHT: 205 mm / 8"

BASE WIDTH: 80 mm / 3<sup>1</sup>/<sub>4</sub>"

SHADE WIDTH: 150 mm / 6"

UKCA / CE / WIRED USING US COMPONENTS

### WARRANTY

10 years\*

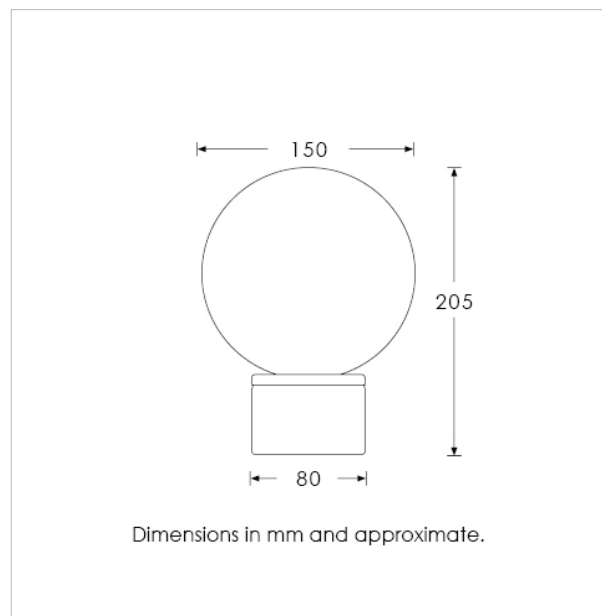
### FINISHING NOTE

The ceramic glazes that we have used on this lamp will create differences from piece to piece - variations in colour, formation and detailing. As such, it is part of the charm that no two products are exactly the same.

### CLEANING INSTRUCTIONS

The finishes on this luminaire only require regular cleaning with a soft dry duster. Abrasive or chemical cleaners may harm the finish and should not be used.

\*Please refer to our Terms & Conditions for further information.



H&CO

LIGHT BEYOND DESIGN

# Heathfield&Co

## Product Specification Sheet

TABLE LAMP | LUCA THYME



### PRODUCT INFORMATION

Base Code: TL-LUCA-SBRS-THYM

Material: Glass, Metal & Ceramic

Finish shown: Thyme

Metalwork: Satin Brass

Flex: UK & EU 1.5 metres of Oatmeal braided flex /  
US Oatmeal braided flex

### TECHNICAL INFORMATION

Weight: 0.6kg / 1.3lbs

Plug: White 13amp UK plug /

White Schuko EU plug / White US polarised plug

Switching: White inline switch

Lamping: 1x G9 lampholder / 1x G9 US lampholder  
20W max. LED lamps recommended.

Lamps not included

BASE HEIGHT: 55 mm / 2<sup>1</sup>/<sub>4</sub>"

TOTAL HEIGHT: 205 mm / 8"

BASE WIDTH: 80 mm / 3<sup>1</sup>/<sub>4</sub>"

SHADE WIDTH: 150 mm / 6"

UKCA / CE / WIRED USING US COMPONENTS

### WARRANTY

10 years\*

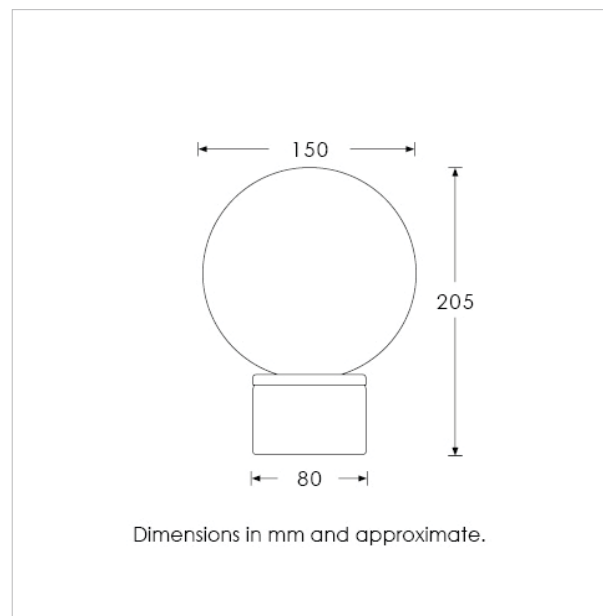
### FINISHING NOTE

The ceramic glazes that we have used on this lamp will create differences from piece to piece - variations in colour, formation and detailing. As such, it is part of the charm that no two products are exactly the same.

### CLEANING INSTRUCTIONS

The finishes on this luminaire only require regular cleaning with a soft dry duster. Abrasive or chemical cleaners may harm the finish and should not be used.

\*Please refer to our Terms & Conditions for further information.



H&CO

LIGHT BEYOND DESIGN

# Heathfield&Co

## Product Specification Sheet

TABLE LAMP | LUCA TAUPE



### PRODUCT INFORMATION

Base Code: TL-LUCA-SBRS-TAUP  
Material: Glass, Metal & Ceramic  
Finish shown: Taupe  
Metalwork: Satin Brass  
Flex: UK & EU 1.5 metres of Oatmeal braided flex /  
US Oatmeal braided flex

### TECHNICAL INFORMATION

Weight: 0.6kg / 1.3lbs  
Plug: White 13amp UK plug /  
White Schuko EU plug / White US polarised plug  
Switching: White inline switch  
Lamping: 1x G9 lampholder / 1x G9 US lampholder  
20W max. LED lamps recommended.  
Lamps not included

BASE HEIGHT: 55 mm / 2<sup>1</sup>/<sub>4</sub>"  
TOTAL HEIGHT: 205 mm / 8"  
BASE WIDTH: 80 mm / 3<sup>1</sup>/<sub>4</sub>"  
SHADE WIDTH: 150 mm / 6"

UKCA / CE / WIRED USING US COMPONENTS

### WARRANTY

10 years\*

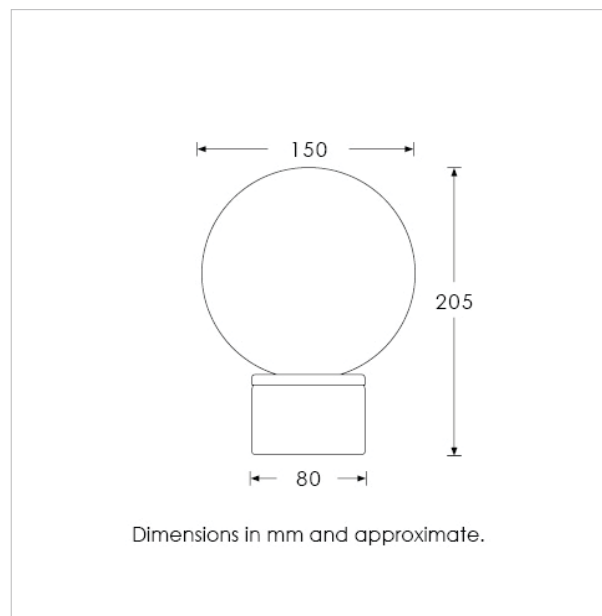
### FINISHING NOTE

The ceramic glazes that we have used on this lamp will create differences from piece to piece - variations in colour, formation and detailing. As such, it is part of the charm that no two products are exactly the same.

### CLEANING INSTRUCTIONS

The finishes on this luminaire only require regular cleaning with a soft dry duster. Abrasive or chemical cleaners may harm the finish and should not be used.

\*Please refer to our Terms & Conditions for further information.



H&  
CO

LIGHT BEYOND DESIGN