

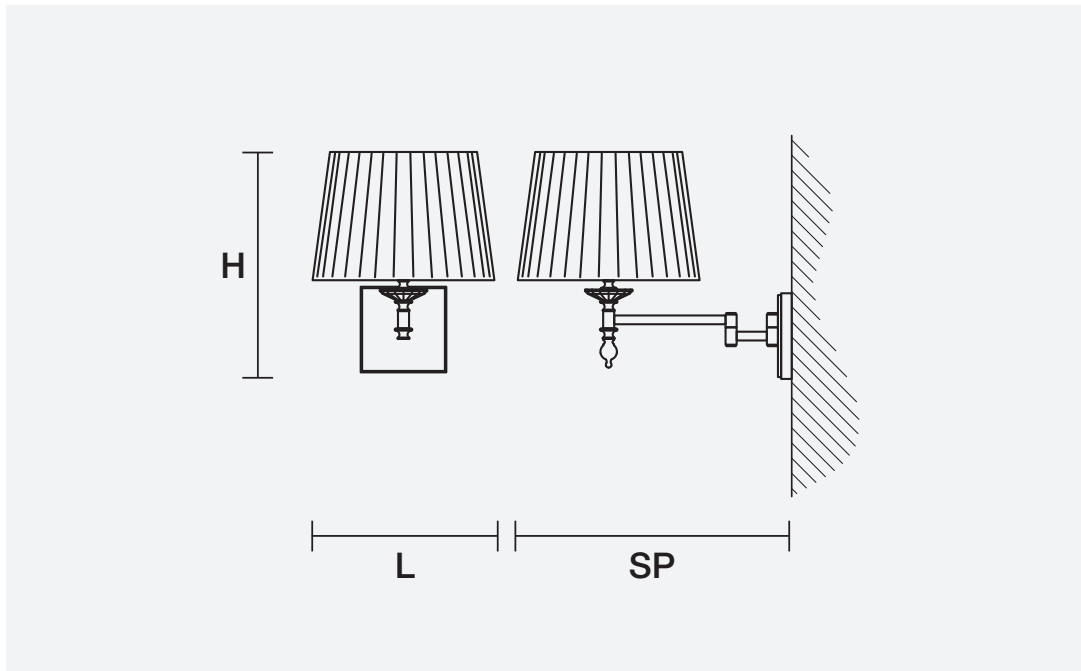
BRASS & SPOTS VE 1091 A1

Design by: Studio Stile Masiero




Telaio in ottone dorato, paralume in tessuto pongè.

Gold plated solid brass frame, pongè lampshades.



H	30 cm 11.81"
L	26 cm 10.23"
SP	26.48 cm 10.20-18.90"

 1 x E27 x 60W max
Incandescenza/Incandescent

Paralumi / shade (PON/22/IV)



MATERIALI MATERIALS

CUT CRYSTAL

Pendagli in cristallo trasparente molato.

Pendants in transparent cut crystal.

SWAROVSKI® ELEMENTS

Pendagli in cristallo trasparente SWAROVSKI® ELEMENTS.

Pendants in transparent SWAROVSKI® ELEMENTS crystal.

HALF CUT GLASS

Pendagli in vetro semi-molato.

Half cut glass pendants.

MASIERO