

# SIMPLE LAMPS | CIRCULAR WILLOW - WALL SCONCE - 400 | CIR-WIL-400-WS



## DESCRIPTION

An addition to our 'Circular Willow' family. This simple elegant wall-sconce based on a metal frame folded in half at 90 degrees. The pattern of the frame above will cast dramatic shadows on the wall above. Illuminated by 1x G9 Halogen/LED bulb with OR by 1x E12/14 or E26/E27 vintage style LED bulb.

## PRODUCT SIZE

SHADE SIZE: 400 X 225W MM / TOTAL HEIGHT: 200-450MM

## PACKAGING DIMENSIONS

330MM(W) X 480MM(L) X 330MM(H)



## LAMP TYPE & NO

1 X G9-HALOGEN 18-40 WATT LAMPS (40W) OR 1X G9-2.5W LEDS. OR 1 X E12/14 OR E26/27 LED

CLASS II  
IP RATING 20  
QC RATING 21

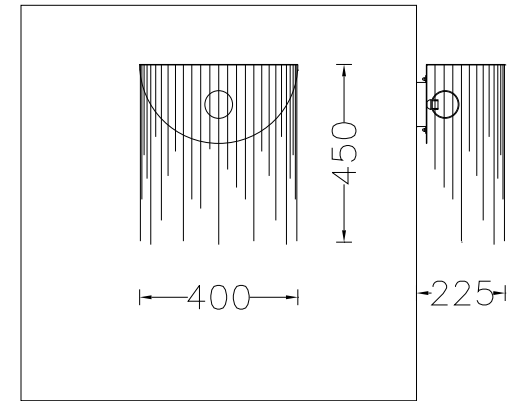
VOLTAGE RANGE  
110-240V

PRODUCT MARKS & RATINGS



WEIGHT 2.5KG  
PACKED 6KG WEIGHT

## TECHNICAL DRAWING



## INTERACT

### SELECT COLOUR

- SILVER \*
- BRASS \*
- COPPER \*
- SMOKE \*
- MIXED METALIC \*
- RUST \*
- WHITE
- RED
- BLACK

\* METALLIC

### CUSTOMISE DIMENSIONS

A

B

### LAMP TYPE

QUANTITY

### ADDITIONAL COMMENTS

WEB LINK