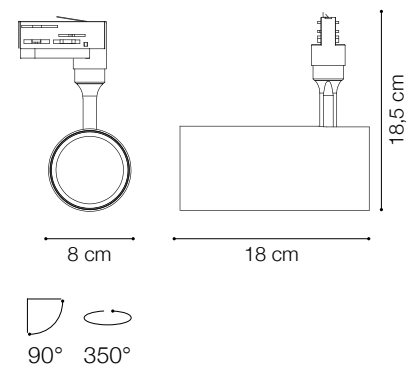


IDEAL LUX | SMILE MEDIUM



Code	189819
Item name	SMILE 20W CRI80 36° 3000K BIANCO
Source	LED COB CITIZEN
Power	20W
Driver included	TRIDONIC
Lumen	2150 Lm
MacAdam	4SDC
UGR	<7
Beam	36°
CCT	3000K
CRI	≥82
Insulation class	Class II
IP	20
Material	Aluminum
LED Life	50.000 h
Warranty	5 years
Net Weight	0,810 Kg
Volume	0,0050 m³

TRACKLIGHTS



Code 189529
Item name SMILE ANELLO FRONTALE BIANCO
PER TRACKLIGHTS 20/30W



Code 190259
Item name SMILE DIFFUSORE ELLITTICO
PER TRACKLIGHTS 20/30W



Code 190181
Item name SMILE HONEYCOMB
PER TRACKLIGHTS 20/30W

