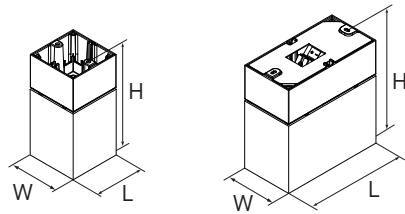


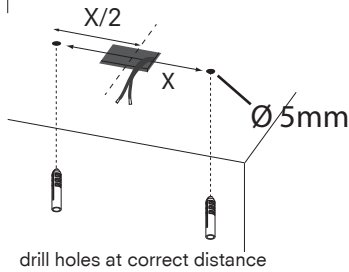
## 1 dimensions



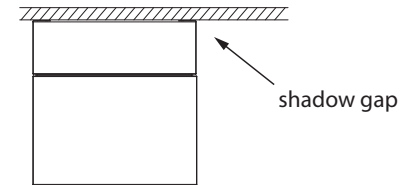
Name	Reference	LxWxH
Prologe 80 Single LED	KR967121-xxxx / KR967122-xxxx	150x75x75
Prologe 80 Double LED	KR967221-xxxx / KR967222-xxxx	150x75x155,5

Please make sure that main voltage is disconnected before proceeding! ⚡

## 2 installation

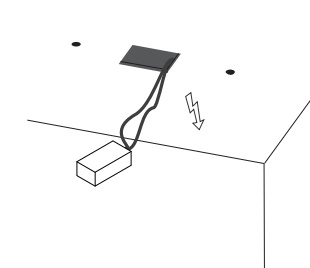


distance x for single : 54 mm  
double : 126 mm

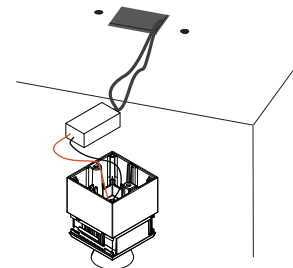


make a cut-out in the middle to push the gear through the ceiling: dimensions depend on the dimensions of the chosen gear, but cannot exceed 60mm x 35mm (for single) and 60x105mm (for double)

## 3 connection

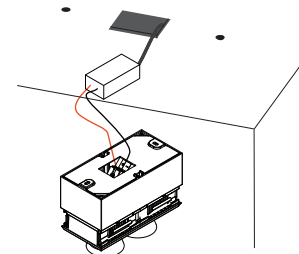


connect the 230V to the gear (with strain relief)

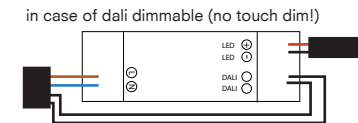
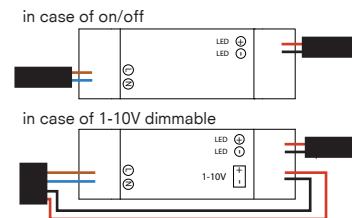


connect the LED directly to the gear

Name	Reference	Current
Prologe 80 Single LED	KR967121-xxxx / KR967122-xxxx	500mA
Prologe 80 Double LED	KR967221-xxxx / KR967222-xxxx	500mA

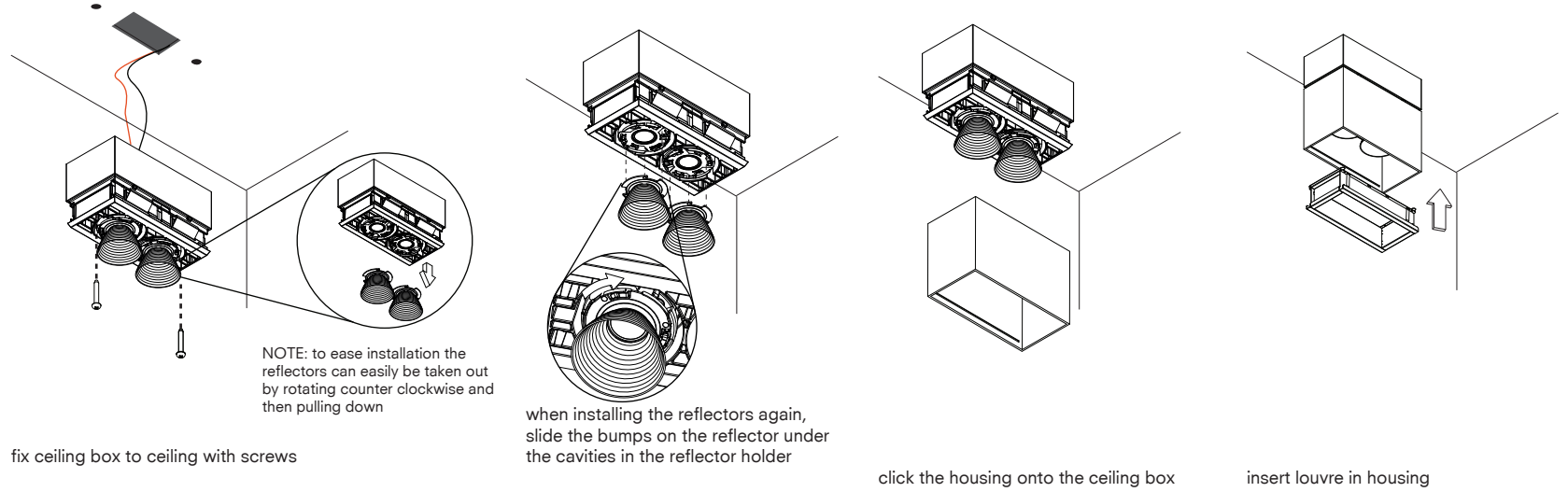


connect the wires to the connector on the prologe, red wire = +, black wire = - (+ and - are indicated)

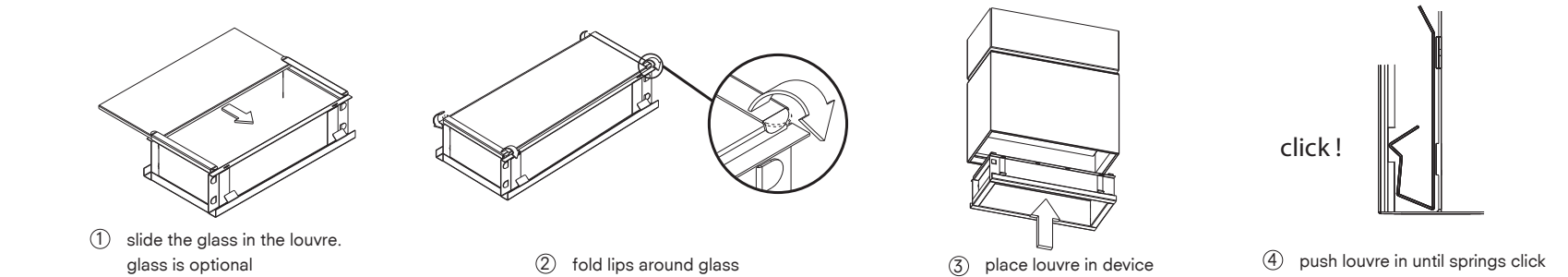


**IMPORTANT:** check polarity of the LED!!  
+ and - at driver side must match  
+ and - at LED side  
+ = red wire  
- = black wire

## connection



**5 louvre**



**6 accessories**



**7 picture**

**kreon nv**

Industrieweg Nood 1152  
3660 Opglabbeek  
Belgium

Tel + 32 89 81 97 80  
Fax + 32 89 81 97 90

www.kreon.com  
mailbox@kreon.be

Rev. date: 22/08/2016  
KR8670201946