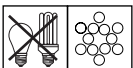


BOMBILLAS - BULBS

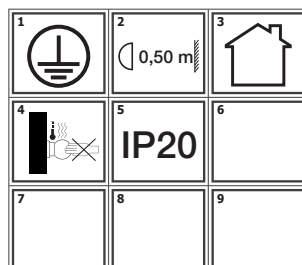
1 x GU10 LED 8W (NO INCL)



220-240V ~ 50/60Hz



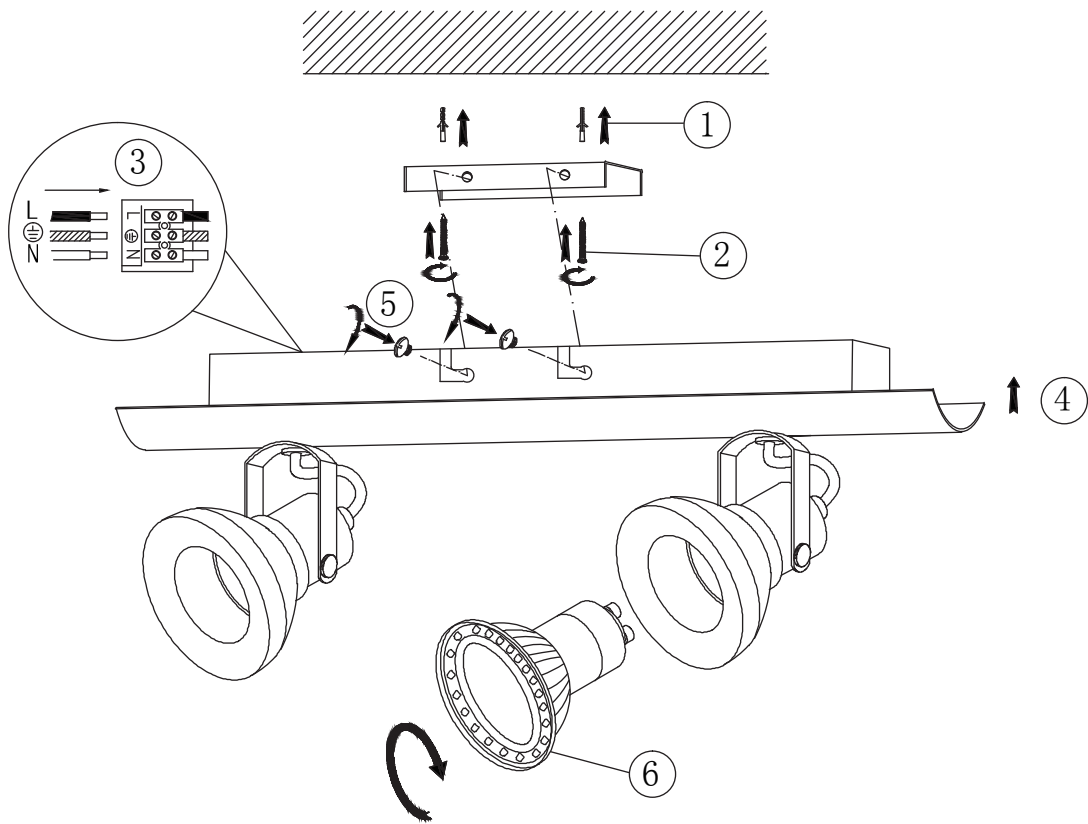
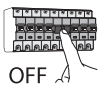
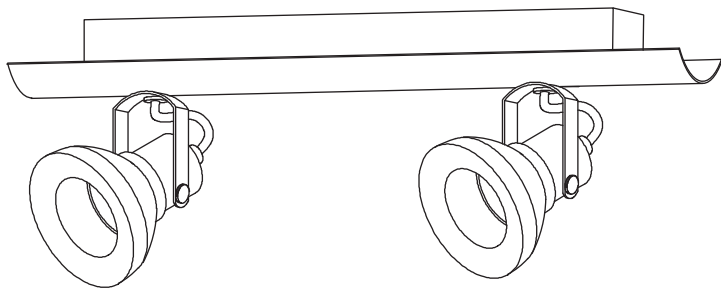
ICONOS - ICONES



**LOREFAR**  
c/Dinámica, 1  
08755 Castellbisbal  
Barcelona, Spain  
faro@faro.es  
www.faro.es

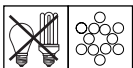
Tel. Comercial  
**902 165 166**  
Fax. Comercial  
**937 720 018**

Tel. Export  
**+34 937 723 965**  
Fax. Export  
**+34 937 723 967**



BOMBILLAS - BULBS

2 x GU10 LED 8W (NO INCL)



220-240V ~ 50/60Hz

ICONOS - ICONES

1	2	3
4	5	6
7	8	9

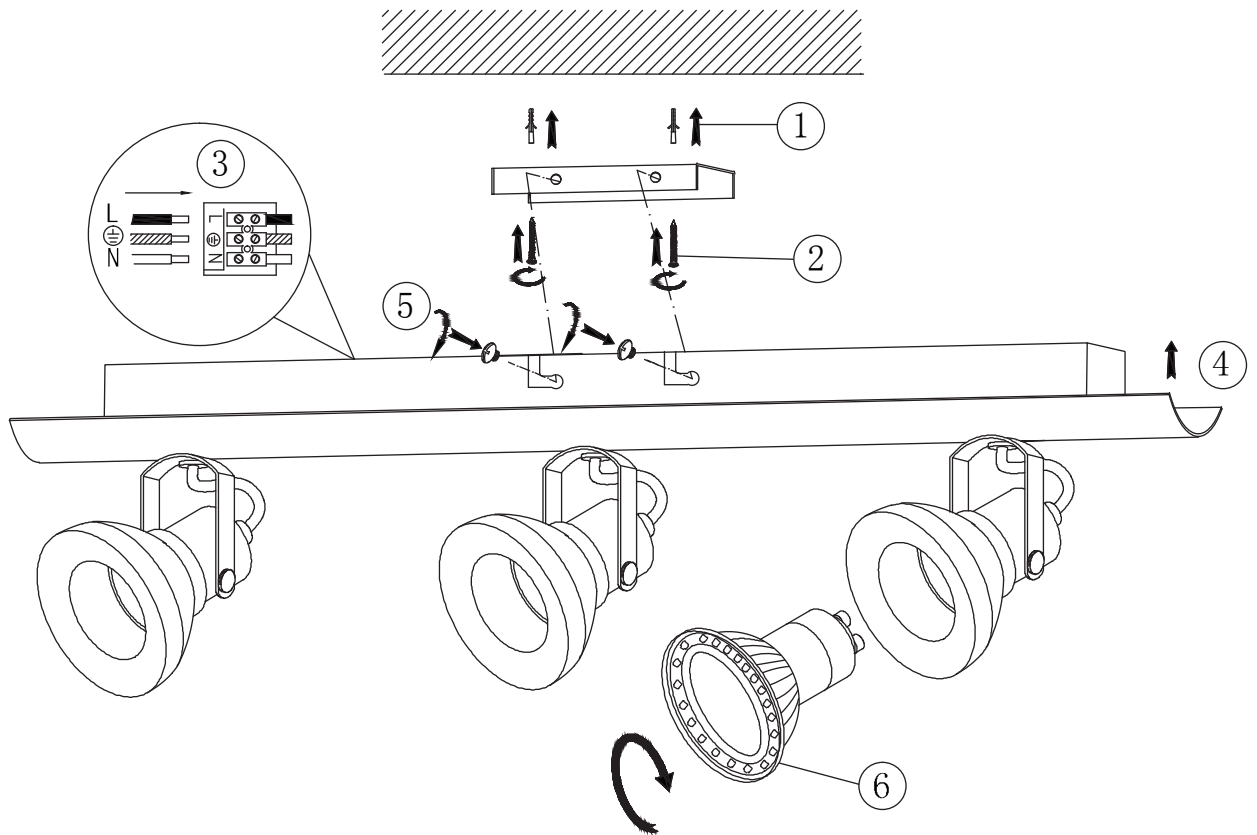
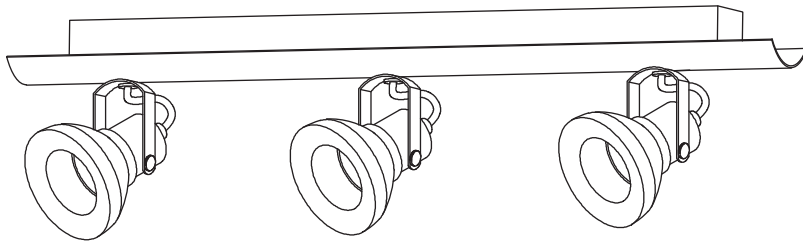


**LOREFAR**  
c/Dinámica, 1  
08755 Castellbisbal  
Barcelona, Spain  
faro@faro.es  
www.faro.es

Tel. Comercial  
**902 165 166**  
Fax. Comercial  
**937 720 018**

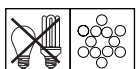
Tel. Export  
**+34 937 723 965**  
Fax. Export  
**+34 937 723 967**





BOMBILLAS - BULBS

3 x GU10 LED 8W (NO INCL)



220-240V ~ 50/60Hz

ICONOS - ICONES

1	2	3
4	5	6
7	8	9



**LOREFAR**  
c/Dinámica, 1  
08755 Castellbisbal  
Barcelona, Spain  
faro@faro.es  
www.faro.es

Tel. Comercial  
**902 165 166**  
Fax. Comercial  
**937 720 018**

Tel. Export  
**+34 937 723 965**  
Fax. Export  
**+34 937 723 967**

