


PANZERI

Zero Round

220-240V AC ON-OFF

A03319.025.0401

 mat brass



Data sheet

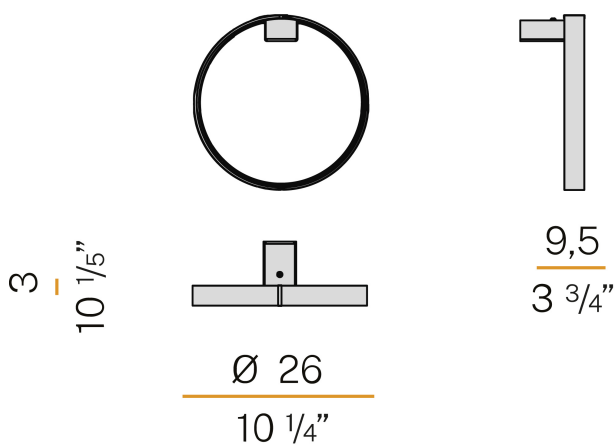
| | |
|--------------------------|-----------------------|
| CODE | A03319.025.0401 |
| SYSTEM POWER CONSUMPTION | 13W |
| EFFICACY | 61.23lm/W |
| LIGHT SOURCE | LED |
| LIGHT SOURCE LIFETIME | L70 (B50) 60.000h |
| COLOUR TEMPERATURE | 3000K Ra>90 |
| LIGHT DISTRIBUTION | diffused |
| POWER SUPPLY | 220-240V AC |
| FREQUENCY | 50/60Hz |
| ELECTRICAL CONFIGURATION | ON-OFF |
| DRIVER | integrated included |
| NOMINAL LUMINOUS FLUX | 1024lm |
| LUMEN OUTPUT | 796lm |
| EFFICIENCY | 77.7% |
| WEIGHT | 0,62 Kg |
| PROTECTION DEGREE | IP40 |
| COLOUR TOLLERANCES | SDCM 3 |
| PACKING DIMENSIONS | 31,0 x 31,0 x 20,0 cm |



Wall lighting fixture for interiors, with direct and indirect light emission.
Pickled sheet metal wall bracket in polyacrylic paint.
Pickled sheet metal wall plate in polyacrylic paint.
Bended extruded aluminium structure in white, black, bronze, mat brass or titanium polyacrylic paint.
Extruded polycarbonate diffuser with opaline finish.



Technical drawing



Polar diagram

