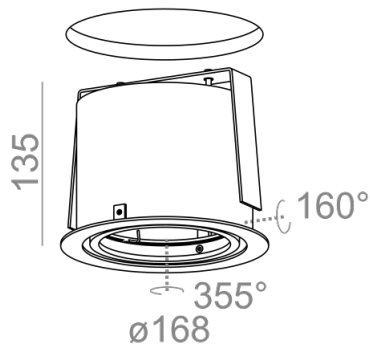


Last update on 2018-03-11 20:45. More details available at <https://www.aqform.com/en/37162>



RING 111 230V recessed

RING 111 230V wpuszczany

Category: recessed

Power 50W (LED)

Light source: ES111, 230V

Lampholder: GU10

Dimming: Phase-Control

Light source not included

Transformer not required.

Tolerance for dimensions ± 1 mm

Warranty period 2 years

AVAILABLE FINISHES:

MIX GLOSS STRUCTURE ADDITIONAL



RING 111 230V Phase-Control recessed

37162-0000-U8-PH-xx

-xx finish option code from table below

AVAILABLE FINISHES:

MIX

| | |
|-----|-----|
| mix | -06 |
|-----|-----|

STRUCTURE

| | | | |
|-----------------|-----|-----------------|-----|
| black structure | -12 | white structure | -13 |
|-----------------|-----|-----------------|-----|

| | |
|----------------|-----|
| gold structure | -19 |
|----------------|-----|

ADDITIONAL

| | | | |
|------|-----|--------|-----|
| grey | -16 | copper | -17 |
|------|-----|--------|-----|

GLOSS

| | | | |
|-------------|-----|-------------|-----|
| black gloss | -22 | white gloss | -23 |
|-------------|-----|-------------|-----|