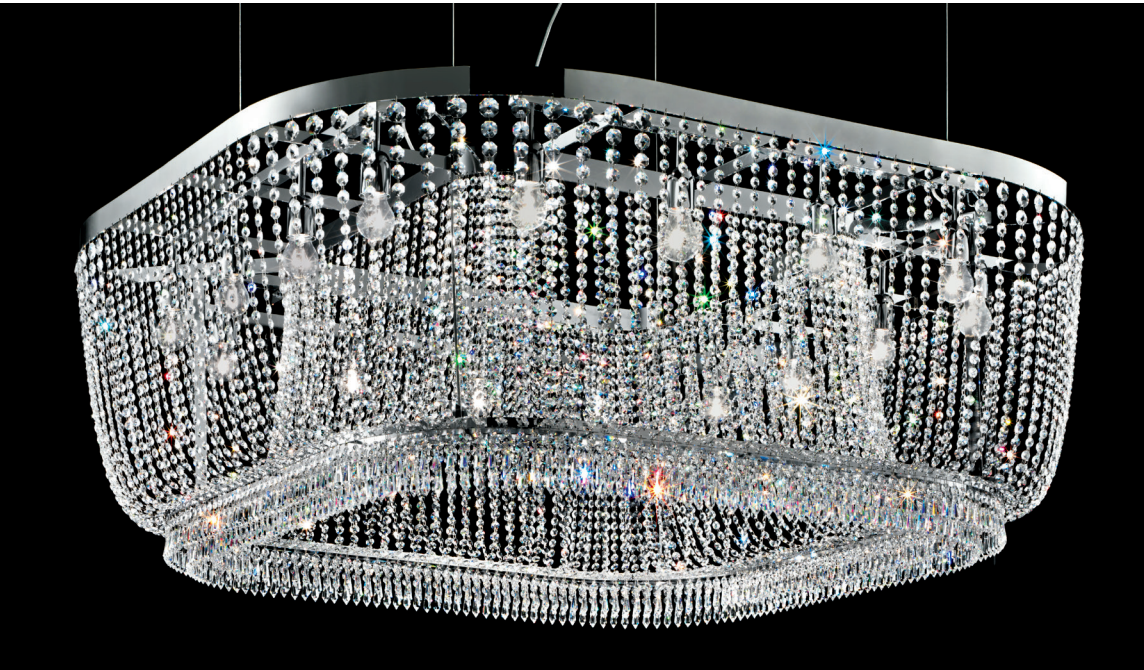


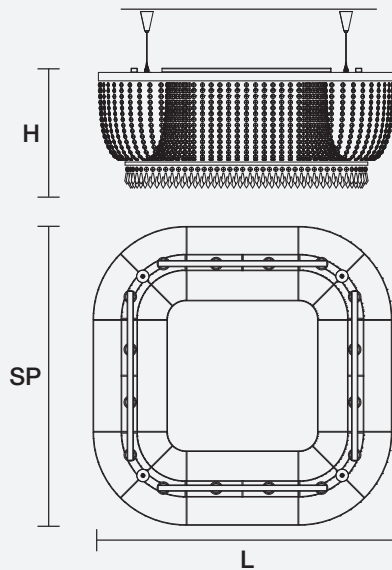
IMPERO-DECO VE 813 S12 100

Design by: Studio Stile Masiero



Telaio in metallo cromato, pendagli in cristallo.

Chrome plated metal frame, crystal pendants.




H 45 cm
17.71"

Ø 100 cm
39.37"

SP 100 cm
39.37"

Peso: 40 kg

 12 x E27 x 60W max
Incandescenza/Incandescent



MATERIALI MATERIALS

CUT CRYSTAL

Pendagli in cristallo trasparente molato.

Pendants in transparent cut crystal.

SWAROVSKI® ELEMENTS

Pendagli in cristallo trasparente SWAROVSKI® ELEMENTS.

Pendants in transparent SWAROVSKI® ELEMENTS crystal.

HALF CUT GLASS

Pendagli in vetro semi-molato.

Half cut glass pendants.