

PANZERI

Moai

220-240V AC dimmable (DALI/Push DIM)

XGQ1211.0402

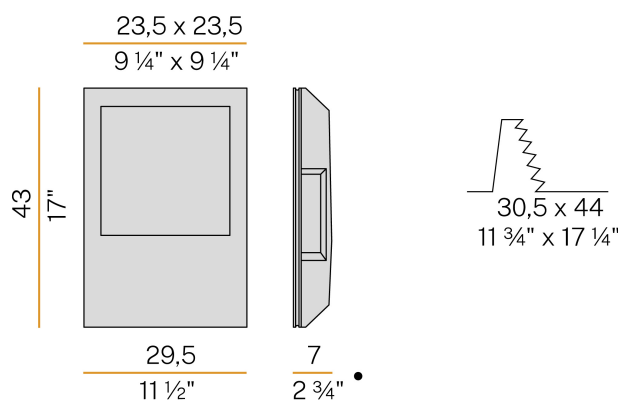
● plaster

Data sheet

CODE	XGQ1211.0402
SYSTEM POWER CONSUMPTION	15W
EFFICACY	70.87lm/W
LIGHT SOURCE	LED
LIGHT SOURCE LIFETIME	L80 (B20) 80.000h
COLOUR TEMPERATURE	3000K Ra>90
LIGHT DISTRIBUTION	asymmetric
POWER SUPPLY	220-240V AC
FREQUENCY	50/60Hz
ELECTRICAL CONFIGURATION	dimmable (DALI/Push DIM)
DRIVER	integrated included
NOMINAL LUMINOUS FLUX	1898lm
LUMEN OUTPUT	1063lm
EFFICIENCY	56%
WEIGHT	3,54 Kg
PROTECTION DEGREE	IP20
COLOUR TOLLERANCES	SDCM 3
PACKING DIMENSIONS	13,5 x 49,0 x 37,5 cm



Technical drawing



Lighting fixture for ceiling or wall built-in installation for interiors, with indirect light emission.

Total built-in plaster structure for masonry or plasterboard.

Aluminium dissipation plate.

Flat frosted glass diffuser.

Fixing brackets in micro-perforated sheet metal.

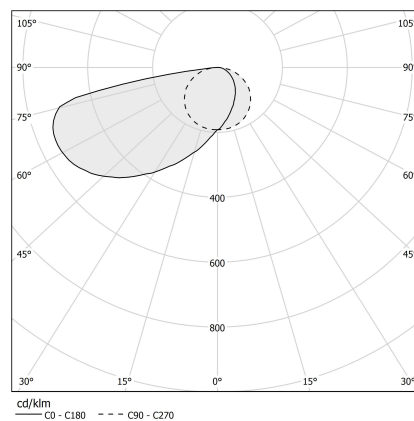
Recessed housing for masonry in galvanized sheet metal to be ordered separately.

Built-in hole dimension: 305x440mm (12x17,3")

Application



Polar diagram



PANZERI

Moai

Accessories / fixing

XM1211

Galvanized sheet housing to be recessed in brick wall or concrete.

