

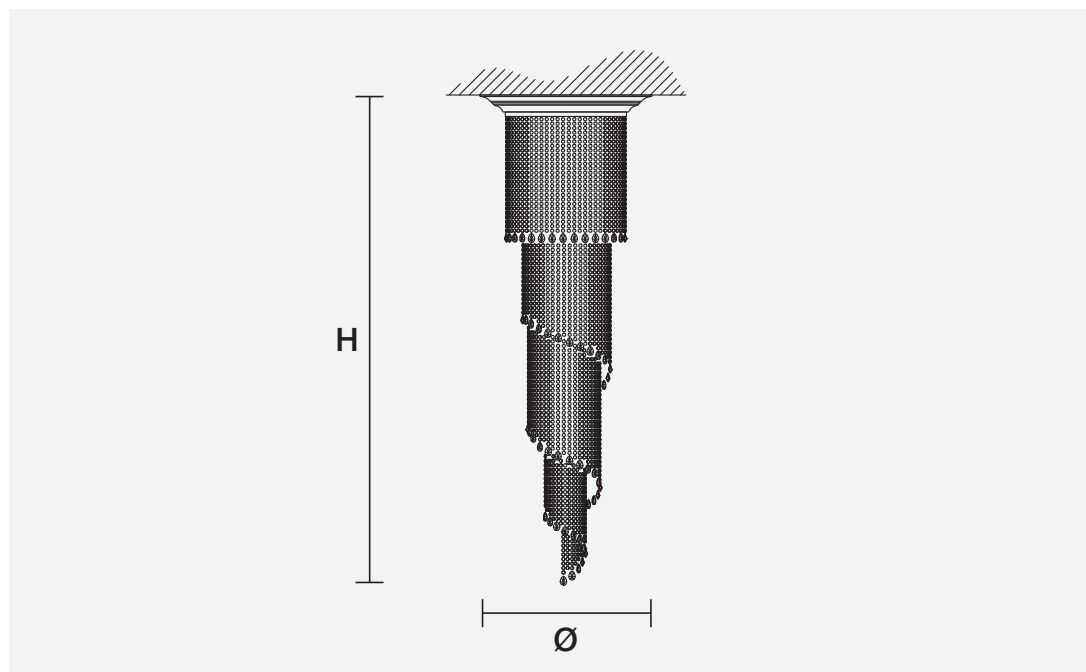
IMPERO-DECO VE 841 G

Design by: Studio Stile Masiero



Telaio in metallo cromato, pendagli in cristallo, gocce nere.


Chrome plated metal frame, crystal pendants, black drops.



H 200 cm
78.74"

Ø 77 cm
30.31"

Peso: 28 kg

 13 x E27 x 60W max
Incandescenza/Incandescent



MATERIALI MATERIALS

CUT CRYSTAL

Pendagli in cristallo trasparente molato.

Pendants in transparent cut crystal.

SWAROVSKI® ELEMENTS

Pendagli in cristallo trasparente SWAROVSKI® ELEMENTS.

Pendants in transparent SWAROVSKI® ELEMENTS crystal.

HALF CUT GLASS

Pendagli in vetro semi-molato.

Half cut glass pendants.