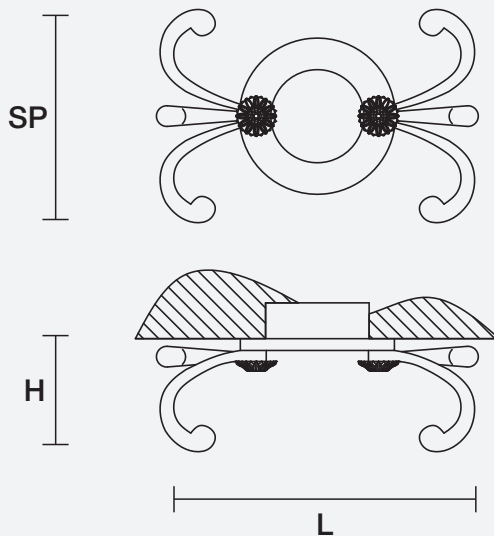


# BRASS & SPOTS VE 1105

Design by: Studio Stile Masiero

Faretto da incasso in ottone dorato.  
Trasformatore e lampadina non  
inclusi. Foro Ø 70 mm

Solid brass gold plated spot light.  
Ballast and bulb not included.  
Hole Ø 2.76"



H 5,5 cm  
2.16"

Ø 16 cm  
6.29"

SP 9 cm  
3.54"

Peso: 0.2 kg

1 x GU 5,3 x 35W max -12V  
Dicroica/Dichroic



## MATERIALI MATERIALS

### CUT CRYSTAL

Pendagli in cristallo trasparente  
molato.

Pendants in transparent cut crystal.

### SWAROVSKI® ELEMENTS

Pendagli in cristallo trasparente  
SWAROVSKI® ELEMENTS.

Pendants in transparent  
SWAROVSKI® ELEMENTS crystal.

### HALF CUT GLASS

Pendagli in vetro semi-molato.

Half cut glass pendants.