

Heathfield&Co

Product Specification Sheet

TABLE LAMP | HAZEL



PRODUCT INFORMATION

Base Code: TL-HAZE-ABRS-GREE

Material: Glass

Finish shown: Moss

Metalwork: Antique Brass

Lampshade: 10" Medium Drum / SH-10-MEDR

Flex: UK & EU 1.5 metres of Ivory twisted flex /

US Ivory braided flex

TECHNICAL INFORMATION

Weight: 2kg / 4.4lbs

Plug: White 13amp UK plug /

White Schuko EU plug / White US polarised plug

Switching: White inline switch

Lamping: 1x E27 lampholder / 1x E26 US lampholder

60W max. LED lamps recommended.

Lamps not included

BASE HEIGHT: 285 mm / 11^{1/4}"

TOTAL HEIGHT: 540 mm / 21^{1/4}"

BASE WIDTH: 190 mm / 7^{1/2}"

SHADE WIDTH: 250 mm / 10"

UKCA / CE / UL COMPLIANT

WARRANTY

10 years*

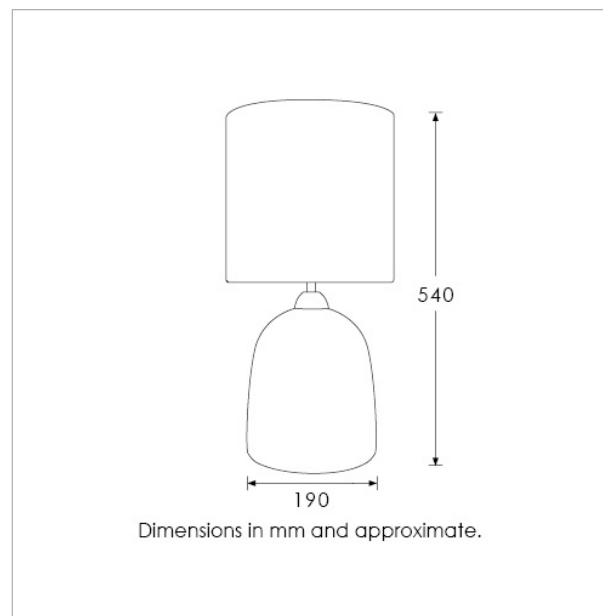
FINISHING NOTE

All our glasswork is hand blown and will vary from piece to piece - variations in form and proportion. Colour formation, pattern and finishing details are unique to each lamp and it is part of the charm that no two products are exactly the same.

CLEANING INSTRUCTIONS

The finishes on this luminaire only require regular cleaning with a soft dry duster. Abrasive or chemical cleaners may harm the finish and should not be used. Shade to be dusted with a clean dry cloth.

*Please refer to our Terms & Conditions for further information.



H&C
CO

LIGHT BEYOND DESIGN