

Heathfield&Co

Product Specification Sheet

TABLE LAMP | ASTER



PRODUCT INFORMATION

Base Code: TL-ASTE-SBRS-WHTE

Material: Ceramic

Finish shown: White

Metalwork: Satin Brass

Lampshade: 10" Medium Drum / SH-10-MEDR

Flex: UK & EU 1.5 metres of Ivory twisted flex /

US Ivory braided flex

TECHNICAL INFORMATION

Weight: 1.8kg / 3.9lbs

Plug: White 13amp UK plug /

White Schuko EU plug / White US polarised plug

Switching: White inline switch

Lamping: 1x E27 lampholder / 1x E26 US lampholder

60W max. LED lamps recommended.

Lamps not included

BASE HEIGHT: 300 mm / 11³/₄"

TOTAL HEIGHT: 555 mm / 22"

BASE WIDTH: 160 mm / 6¹/₄"

SHADE WIDTH: 250 mm / 10"

UKCA / CE / UL COMPLIANT

WARRANTY

10 years*

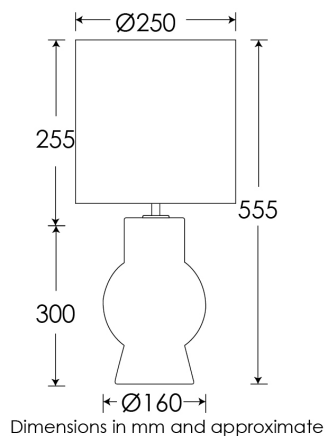
FINISHING NOTE

The ceramic glazes that we have used on this lamp will create differences from piece to piece - variations in colour, formation and detailing. As such, it is part of the charm that no two products are exactly the same.

CLEANING INSTRUCTIONS

The finishes on this luminaire only require regular cleaning with a soft dry duster. Abrasive or chemical cleaners may harm the finish and should not be used. Shade to be dusted with a clean dry cloth.

*Please refer to our Terms & Conditions for further information.



H&
CO

LIGHT BEYOND DESIGN

Heathfield&Co

Product Specification Sheet

TABLE LAMP | ASTER MERLOT



PRODUCT INFORMATION

Base Code: TL-ASTE-SBRS-MERL

Material: Ceramic

Finish shown: Merlot

Metalwork: Satin Brass

Lampshade: 10" Medium Drum / SH-10-MEDR

Flex: UK & EU 1.5 metres of Oatmeal braided flex /
US Oatmeal braided flex

TECHNICAL INFORMATION

Weight: 1.8kg / 3.9lbs

Plug: White 13amp UK plug /

White Schuko EU plug / White US polarised plug

Switching: White inline switch

Lamping: 1x E27 lampholder / 1x E26 US lampholder

60W max. LED lamps recommended.

Lamps not included

BASE HEIGHT: 300 mm / 11³/₄"

TOTAL HEIGHT: 555 mm / 22"

BASE WIDTH: 160 mm / 6¹/₄"

SHADE WIDTH: 250 mm / 10"

UKCA / CE / UL COMPLIANT

WARRANTY

10 years*

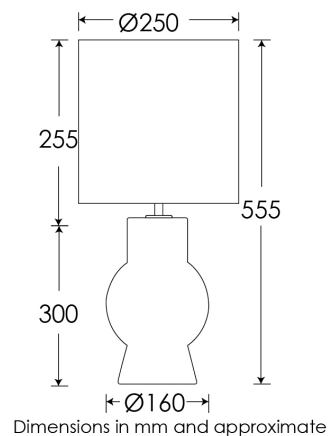
FINISHING NOTE

The ceramic glazes that we have used on this lamp will create differences from piece to piece - variations in colour, formation and detailing. As such, it is part of the charm that no two products are exactly the same.

CLEANING INSTRUCTIONS

The finishes on this luminaire only require regular cleaning with a soft dry duster. Abrasive or chemical cleaners may harm the finish and should not be used. Shade to be dusted with a clean dry cloth.

*Please refer to our Terms & Conditions for further information.



H&
CO

LIGHT BEYOND DESIGN

Heathfield&Co

Product Specification Sheet

TABLE LAMP | ASTER LIGHT TERRACOTTA



PRODUCT INFORMATION

Base Code: TL-ASTE-SBRS-TERA

Material: Ceramic

Finish shown: Light Terracotta

Metalwork: Satin Brass

Lampshade: 10" Medium Drum / SH-10-MEDR

Flex: UK & EU 1.5 metres of Oatmeal braided flex /
US Oatmeal braided flex

TECHNICAL INFORMATION

Weight: 1.8kg / 3.9lbs

Plug: White 13amp UK plug /

White Schuko EU plug / White US polarised plug

Switching: White inline switch

Lamping: 1x E27 lampholder / 1x E26 US lampholder

60W max. LED lamps recommended.

Lamps not included

BASE HEIGHT: 300 mm / 11³/₄"

TOTAL HEIGHT: 555 mm / 22"

BASE WIDTH: 160 mm / 6¹/₄"

SHADE WIDTH: 250 mm / 10"

UKCA / CE / UL COMPLIANT

WARRANTY

10 years*

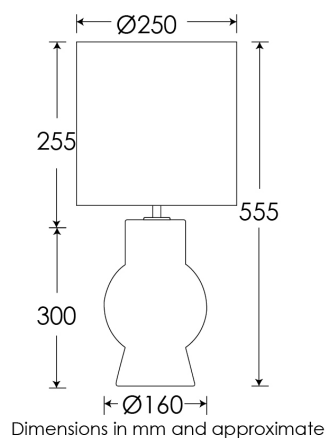
FINISHING NOTE

The ceramic glazes that we have used on this lamp will create differences from piece to piece - variations in colour, formation and detailing. As such, it is part of the charm that no two products are exactly the same.

CLEANING INSTRUCTIONS

The finishes on this luminaire only require regular cleaning with a soft dry duster. Abrasive or chemical cleaners may harm the finish and should not be used. Shade to be dusted with a clean dry cloth.

*Please refer to our Terms & Conditions for further information.



H&
CO

LIGHT BEYOND DESIGN

Heathfield&Co

Product Specification Sheet

TABLE LAMP | ASTER OLIVE



PRODUCT INFORMATION

Base Code: TL-ASTE-SBRS-OLIV

Material: Ceramic

Finish shown: Olive

Metalwork: Satin Brass

Lampshade: 10" Medium Drum / SH-10-MEDR

Flex: UK & EU 1.5 metres of Oatmeal braided flex /
US Oatmeal braided flex

TECHNICAL INFORMATION

Weight: 1.8kg / 3.9lbs

Plug: White 13amp UK plug /

White Schuko EU plug / White US polarised plug

Switching: White inline switch

Lamping: 1x E27 lampholder / 1x E26 US lampholder

60W max. LED lamps recommended.

Lamps not included

BASE HEIGHT: 300 mm / 11³/₄"

TOTAL HEIGHT: 555 mm / 22"

BASE WIDTH: 160 mm / 6¹/₄"

SHADE WIDTH: 250 mm / 10"

UKCA / CE / UL COMPLIANT

WARRANTY

10 years*

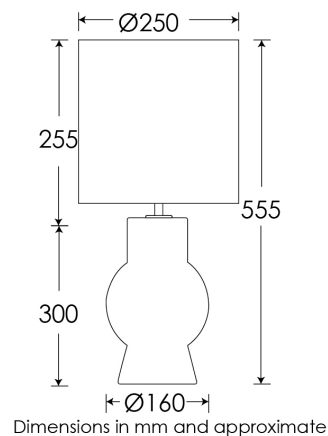
FINISHING NOTE

The ceramic glazes that we have used on this lamp will create differences from piece to piece - variations in colour, formation and detailing. As such, it is part of the charm that no two products are exactly the same.

CLEANING INSTRUCTIONS

The finishes on this luminaire only require regular cleaning with a soft dry duster. Abrasive or chemical cleaners may harm the finish and should not be used. Shade to be dusted with a clean dry cloth.

*Please refer to our Terms & Conditions for further information.



H&
CO

LIGHT BEYOND DESIGN