

Heathfield&Co

Product Specification Sheet

CEILING LIGHT | ONA CHANDELIER



PRODUCT INFORMATION

Base Code: PD-ONAO-IVOR-SMOA-C03

Material: Ceramic, Metal, Wood & Glass

Metalwork: Bronze

Finish shown: Ivory

TECHNICAL INFORMATION

Weight: 2.9kg / 6.4lbs

Switching & Plug: Hardwired

Lamping: 3x G9 lampholder / 3x G9 US lampholder

25W max. LED lamps recommended.

Lamps not included

TOTAL HEIGHT: 400 mm / 15^{3/4}"

TOTAL WIDTH: 680 mm / 26^{3/4}"

UKCA / CE / WIRED USING US COMPONENTS

WARRANTY

10 years*

FINISHING NOTE

The ceramic glazes that we have used on this lamp will create differences from piece to piece - variations in colour, formation and detailing. As such, it is part of the charm that no two products are exactly the same.

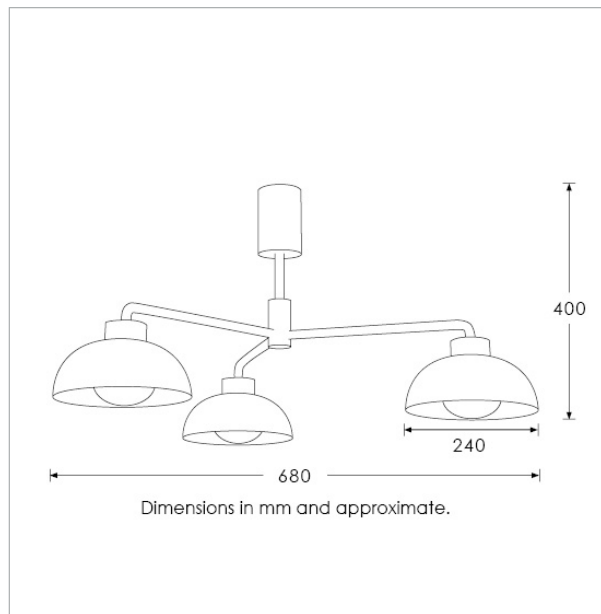
CLEANING INSTRUCTIONS

The finishes on this luminaire only require regular cleaning with a soft dry duster. Abrasive or chemical cleaners may harm the finish and should not be used.

FIXING NOTE

It is the buyer's responsibility to ensure that suitable fixings are used.

*Please refer to our Terms & Conditions for further information.



Dimensions in mm and approximate.

H&
CO

LIGHT BEYOND DESIGN

www.heathfield.co.uk | +44 (0) 1732 350450 | sales@heathfield.co.uk
Unit 1, Priory Road, Tonbridge, Kent, TN9 2AF, United Kingdom. This specification is subject to our standard Terms & Conditions, a copy of which can be found at heathfield.co.uk. © 2023 Heathfield & Co. All rights reserved.