

Coco outdoor

Tristan Auer



SMALL



MEGA



Versioni outdoor della famosa Coco Mega. La struttura è realizzata con effetto legno marino color moka scuro, per fornire un elemento d'arredo di luminosa eleganza. Il paralume è realizzato con tessuto Sale e Pepe impermeabile e ignifugo. Ora disponibile anche in versione piccola.

Outdoor versions of the famous Coco Mega. The structure is created with a dark mocha-coloured marine wood effect, to provide a furnishing element of illuminating elegance. The lampshade is made with waterproof and fireproof Sale e Pepe fabric. Now also available in a small version.

SPECIFICHE PRODOTTO / PRODUCT SPECIFICS

p.2

COCO SMALL OUTDOOR
COCO MEGA OUTDOOR

p.3

p.4

STRUTTURA / FRAME



Acciaio spazzolato
Legno marino in moca scuro con
trattamento impermeabilizzante
*Satin steel
Dark mocha marine wood with
waterproof treatment*

PARALUME / SHADE



Tessuto impermeabile
Sale e pepe
Sale e pepe waterproof fabric

FONTE LUMINOSA / LIGHT SOURCE

220-240V



E27 LED

SMALL
1 x 10W E27 T8
Lampadina LED
*LED light bulb
IP65*

MEGA
1 x 14W E27 T8
Lampadina LED
*LED light bulb
IP65*

Compatibile con sistemi di controllo
remoto in caso di utilizzo di lampadine
LED dimmerabili

*Compatible with remote control systems
when dimmable LED bulbs are used*



110V



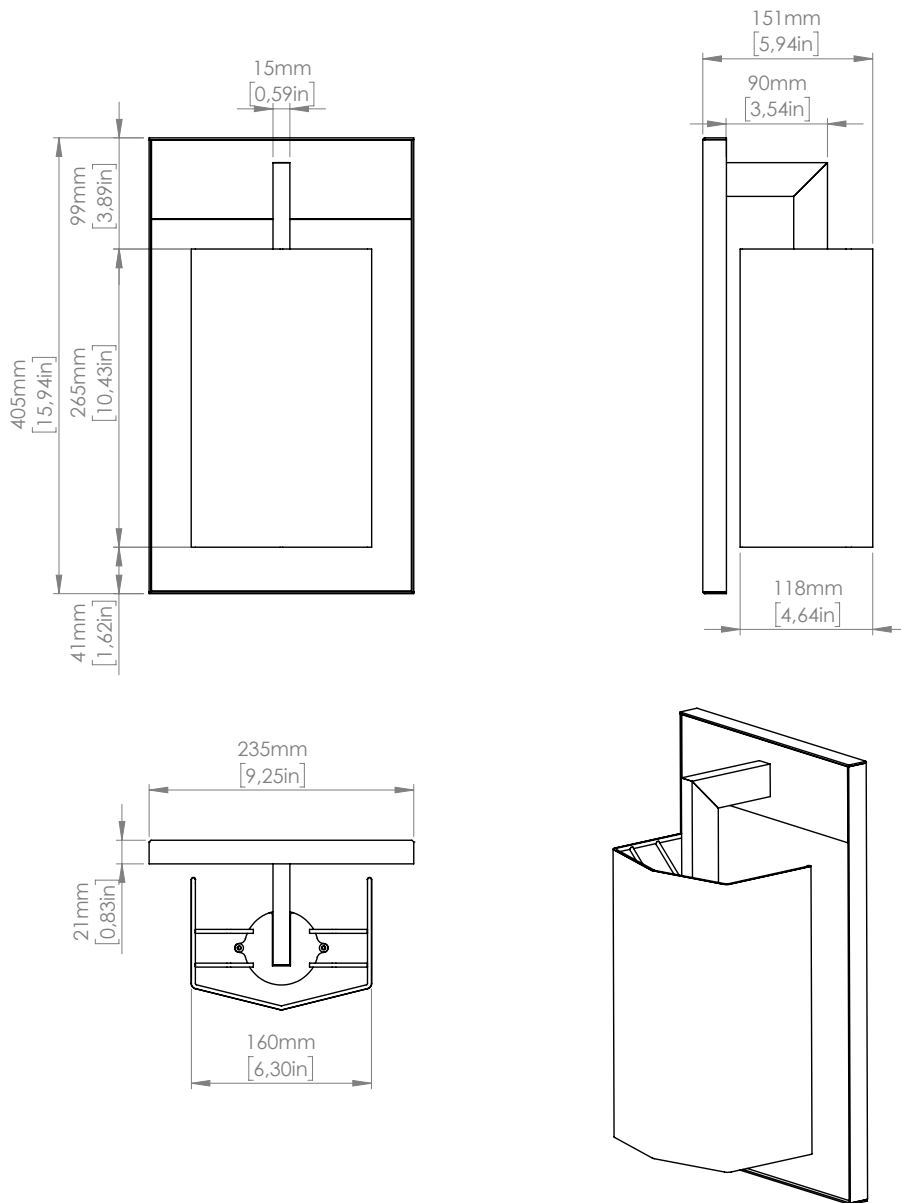
E26 LED

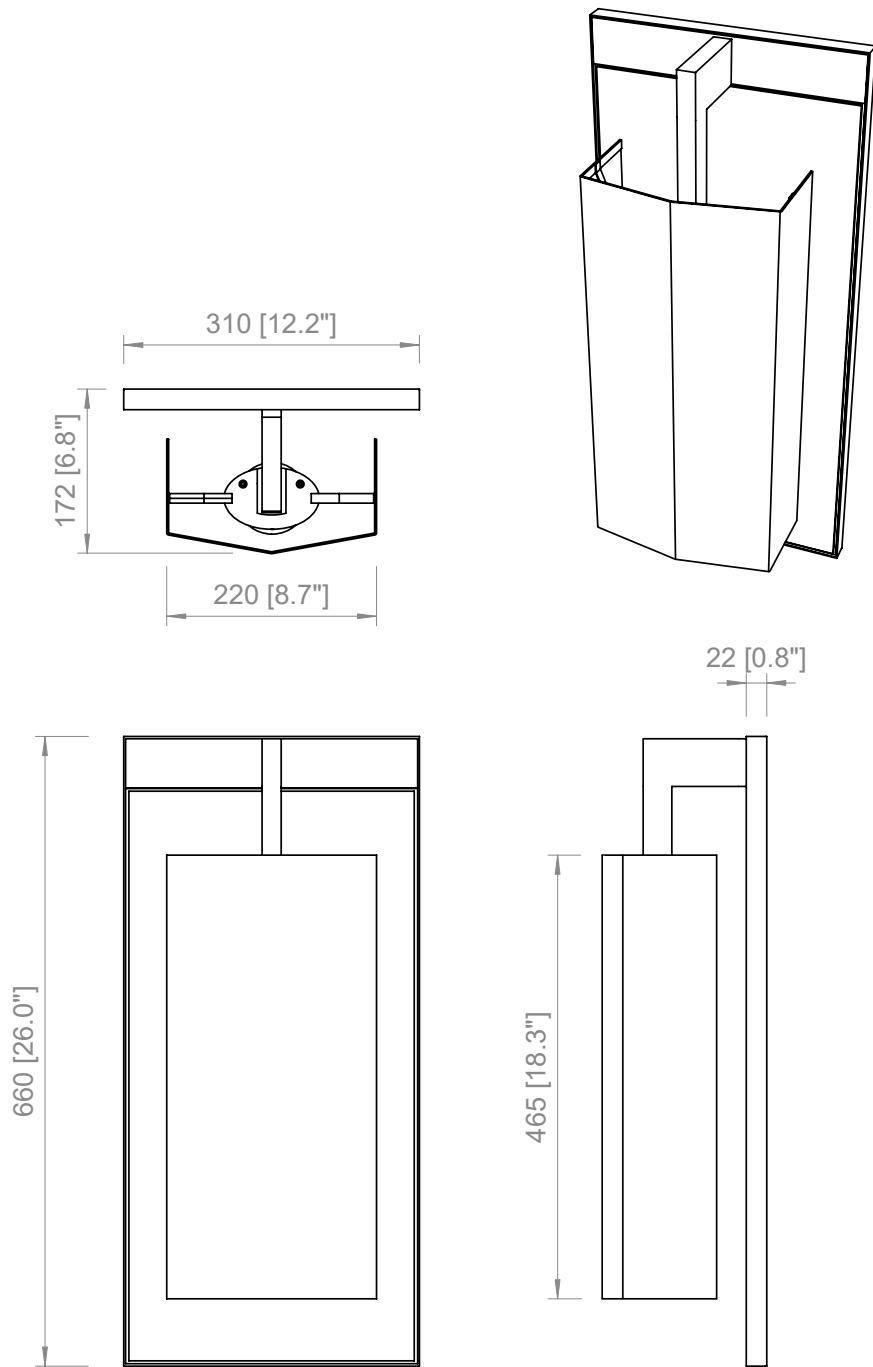
SMALL
1 x 10W E26 T8
LED light bulb
IP65

MEGA
1 x 14W E26 T8
LED light bulb
IP65

Compatible with remote control systems
when dimmable LED bulbs are used







PRODOTTO / PRODUCT **IMBALLI / PACKAGING**

Peso-Weight
10 kg / 22 lbs

Box 1
L: 560 mm / 22"
P-W: 270 mm / 10.6"
H: 800 mm / 31.5"
Peso-Weight: 11 kg / 24.2 lbs

Copyright and/or design rights subsist in this drawing. No part of this drawing may be reproduced in any material form (including photocopying or storing in any medium electronic means, whether or not intentionally and whether or not as part or a larger publication) without the express permission of the copyright owner, Contardi Lighting S.r.l.. Further and without prejudice to the above, this drawing and all information relating thereto is confidential, and shall not be communicated to a third party without the consent of Contardi lighting srl. Contardi lighting srl asserts all rights to be identified as the author of the work and otherwise.

WARNING: The doing of any unauthorised act in relation to a copyright work may result in both a civil claim for damages and criminal prosecution.

CONTARDI LIGHTING Srl

ITALY HEADQUARTERS

www.contardi-italia.com / sales@contardi-italia.it

CONTARDI USA Inc

USA BRANCH

www.contardi-usa.com / sales@contardi-usa.com

