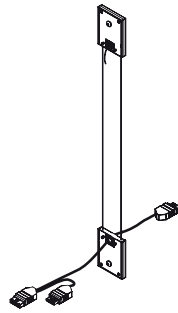


kreon

technics



Name

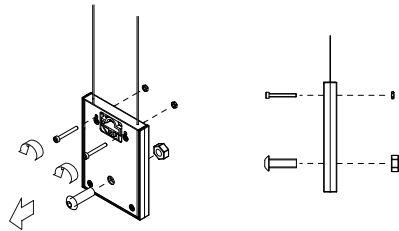
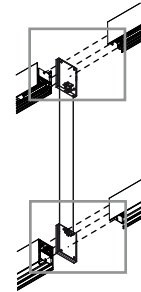
cable coupler

Reference

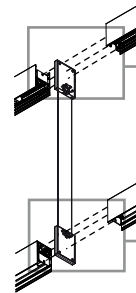
kr763002

1 specifications

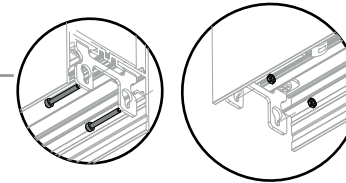
cable coupler



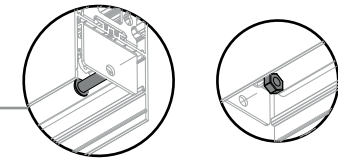
remove the bolts and nuts
note: there are bolts on both sides of the suspension!



fix the coupler in between two profiles
fix the bolts and nuts through the brackets
in the profile and through the suspension

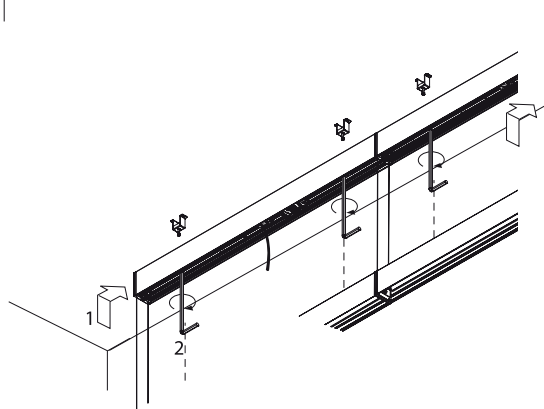


fix the long hexagon bolts through the
indicated bracket and through the suspension
fix on the other end with a nut

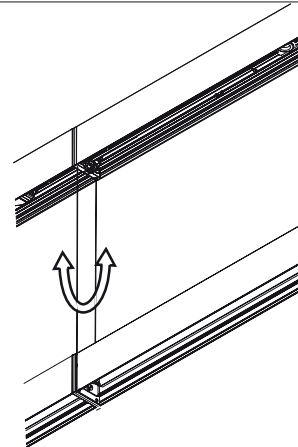


fix the large hexagon bolts through the
indicated bracket and through the suspension
fix on the other end with a nut

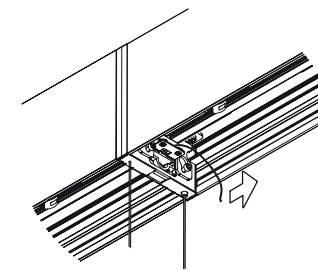
2 installation



slide in keyhole slot to fix against ceiling

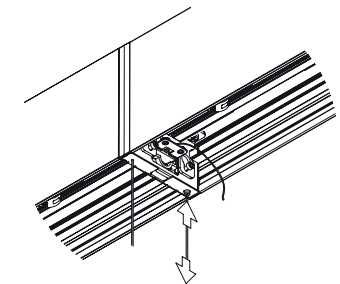


adjust the height of the cadre by pulling the strands
(or release them) on both sides



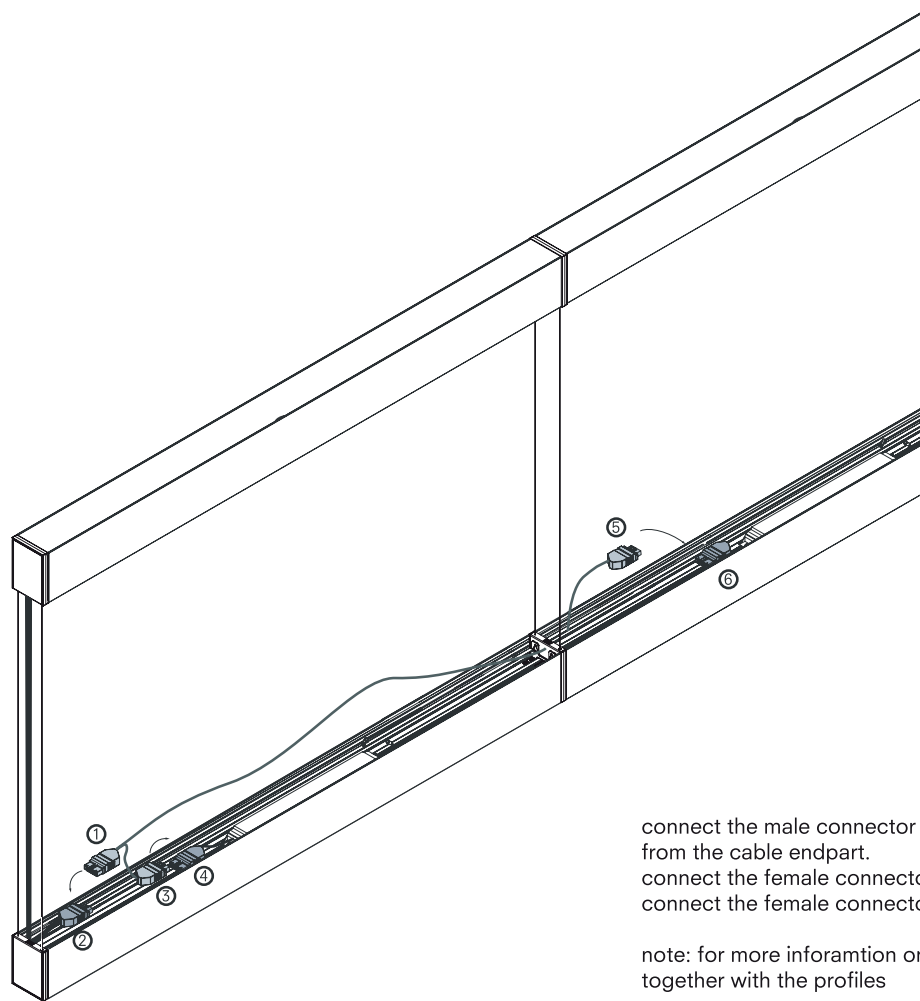
to make the cadre shorter: pull the strand

by pulling the strand, the cable will
shorten and pull the down part of the
cadre up



to make the cadre longer: push the button
that is coming out the suspension and
pull the cable downward, the down part
of the cadre will drop

installation



connect the male connector (1) of the coupler to the female connector (2) coming from the cable endpart.

connect the female connector (3) to the male connector (5) of the first ballast

connect the female connector (5) to the male connector (6) of the second ballast

note: for more information on the dimming etc.: see manual that is delivered together with the profiles

3 electric connection

kreon nv

Industrieweg Noord 1152
3660 Opplabbeek
Belgium

Tel + 32 89 81 97 80
Fax + 32 89 81 97 90

www.kreon.com
mailbox@kreon.be

Rev. date: 04/10/2016
KR8630001770

sheet 2/2