

OLA S6 40

Design by: Fly design studio

MASIERO



Lampada con struttura in metallo verniciato, pendagli in vetro Italiano verniciato.

Powder coated metal frame, coated Italian-glass pendants.

Lampe mit lackierter Metallstruktur, Gehänge aus lackiertem italienischem Glas.

Lampe avec structure en métal verni, breloques en verre italien verni.

Лампа с металлическим окрашенным каркасом, подвесы из окрашенного итальянского стекла.



H 20 cm / 7.87"
Ø 40 cm / 15.74"

TRADITIONAL LIGHTING

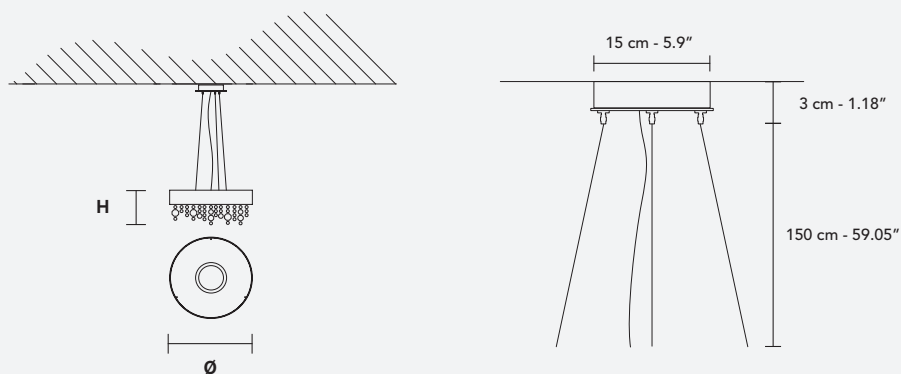
6×E14×40 W max
USA 6×E12×40 W max
(not included)

LED LIGHTING

UP LED x 13,75 W CRI>80
3000 K - 1595 lm

DOWN LED x 13,75 W CRI>80
3000 K - 1595 lm

Dimmable: 1-10V + PUSH + DALI



WH-M

P09

F-01

F-02



F-03

*: available on request / disponibile su richiesta