

Heathfield&Co

Product Specification Sheet

TABLE LAMP | VELETTO MEDIUM



PRODUCT INFORMATION

Base Code: TL-VELE-BABR-SBLK-MED

Material: Metal

Finish shown: Satin Black

Metalwork: Brushed Brass

Lampshade: 8" Roman Drum / SH-08-RMDR

Flex: UK & EU 1.5 metres of Black PVC cable /
US Black PVC cable

TECHNICAL INFORMATION

Weight: 1.7kg / 3.7lbs

Plug: Black 13amp UK plug /

Black Schuko EU plug / Black US polarised plug

Switching: Black inline switch

Lamping: 1x E27 lampholder / 1x E26 US lampholder
60W max. LED lamps recommended.

Lamps not included

BASE HEIGHT: 395 mm / 15¹/₂"

TOTAL HEIGHT: 560 mm / 22"

BASE WIDTH: 120 mm / 4³/₄"

SHADE WIDTH: 205 mm / 8"

UKCA / CE / UL COMPLIANT

WARRANTY

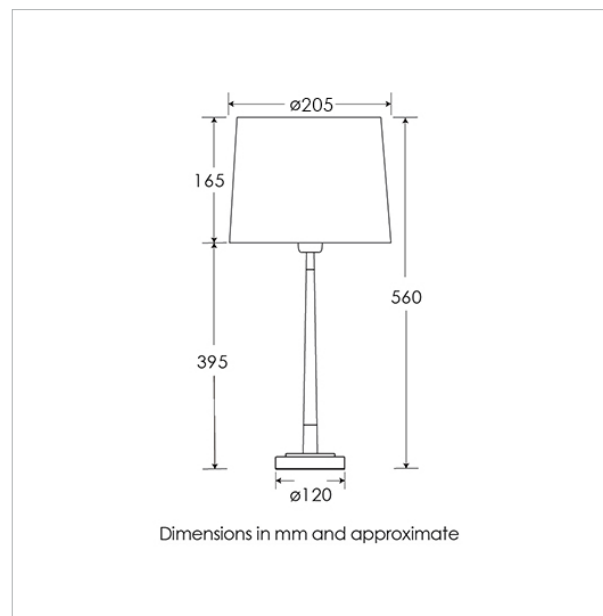
12 months

FINISHING NOTE

All metalwork is handcrafted and may vary from piece to piece with slight variation in finish and detailing.

CLEANING INSTRUCTIONS

The finishes on this luminaire only require regular cleaning with a soft dry duster. Abrasive or chemical cleaners may harm the finish and should not be used. Shade to be dusted with a clean dry cloth.



H&
CO

LIGHT BEYOND DESIGN

Heathfield&Co

Product Specification Sheet

TABLE LAMP | VELETTO LARGE



PRODUCT INFORMATION

Base Code: TL-VELE-BABR-SBLK-LRG

Material: Metal

Finish shown: Satin Black

Metalwork: Brushed Brass

Lampshade: 12" Roman Drum / SH-12-RMDR

Flex: UK & EU 1.5 metres of Black PVC cable /
US Black PVC cable

TECHNICAL INFORMATION

Weight: 2.8kg / 6lbs

Plug: Black 13amp UK plug /

Black Schuko EU plug / Black US polarised plug

Switching: Black inline switch

Lamping: 1x E27 lampholder / 1x E26 US lampholder
60W max. LED lamps recommended.

Lamps not included

BASE HEIGHT: 595 mm / 23¹/₂"

TOTAL HEIGHT: 805 mm / 31¹/₂"

BASE WIDTH: 150 mm / 6"

SHADE WIDTH: 305 mm / 12"

UKCA / CE / UL COMPLIANT

WARRANTY

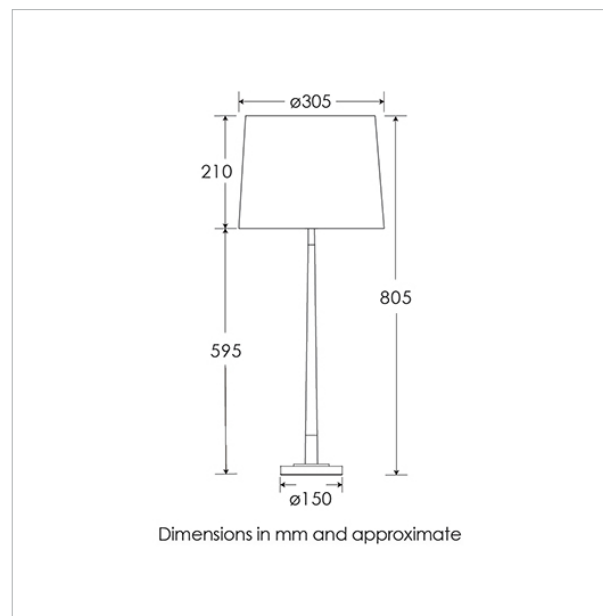
12 months

FINISHING NOTE

All metalwork is handcrafted and may vary from piece to piece with slight variation in finish and detailing.

CLEANING INSTRUCTIONS

The finishes on this luminaire only require regular cleaning with a soft dry duster. Abrasive or chemical cleaners may harm the finish and should not be used. Shade to be dusted with a clean dry cloth.



H&CO

LIGHT BEYOND DESIGN