

Heathfield&Co

Product Specification Sheet

CEILING LIGHT | EDIE 2 LIGHT



PRODUCT INFORMATION

Base Code: PD-EDIE-BRNZ-0000-LIN

Material: Metal & Glass

Finish shown: Blackened Bronze

Lampshade: 2x 8" Empire / SH-08-EMPI

TECHNICAL INFORMATION

Weight: 1.6kg / 3.5lbs

Switching & Plug: Hardwired

Lamping: 2x E27 lampholder / 2x E26 US lampholder

25W max. LED lamps recommended.

Lamps not included

TOTAL HEIGHT: 680 mm / 26^{3/4}"

TOTAL WIDTH: 1105 mm / 43^{1/2}"

UKCA / CE / UL COMPLIANT

WARRANTY

10 years*

FINISHING NOTE

All metalwork is handcrafted and may vary from piece to piece with slight variation in finish and detailing.

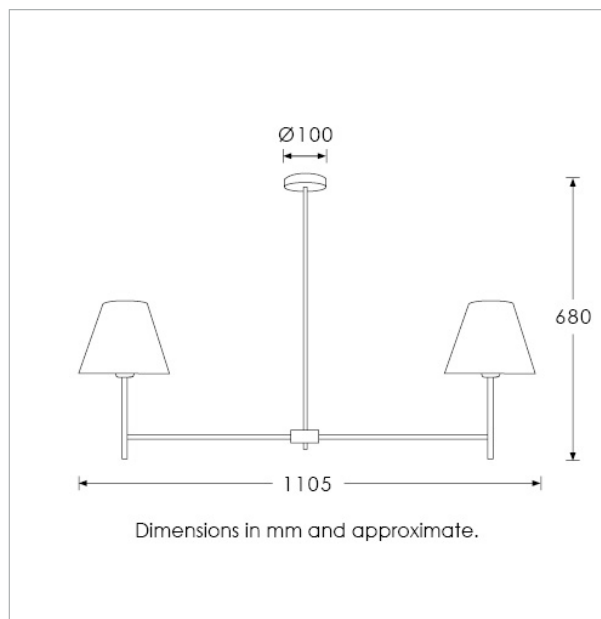
CLEANING INSTRUCTIONS

The finishes on this luminaire only require regular cleaning with a soft dry duster. Abrasive or chemical cleaners may harm the finish and should not be used. Shades to be dusted with a clean dry cloth.

FIXING NOTE

It is the buyer's responsibility to ensure that suitable fixings are used.

*Please refer to our Terms & Conditions for further information.



H&
CO

LIGHT BEYOND DESIGN