

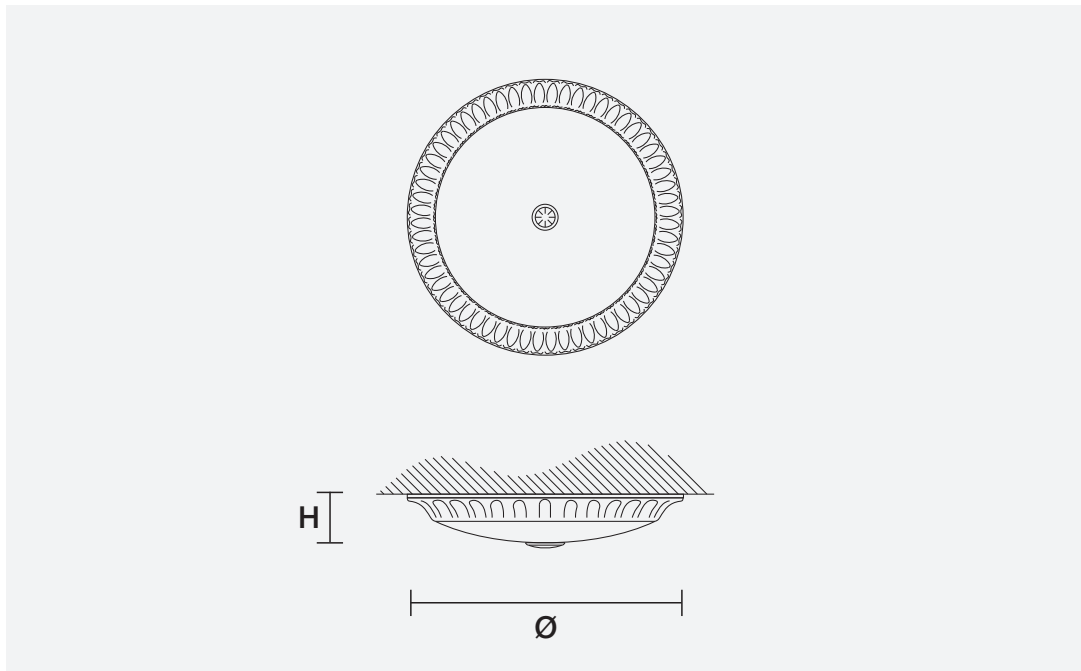
BRASS & SPOTS VE 1081 PL3

Design by: Studio Stile Masiero




Telaio in ottone dorato,
vetro bianco opaco inciso.

Gold plated solid brass frame,
white opaque glass with engraving.



H	12 cm 4.80"
Ø	55 cm 21.70"
Peso:	7.50 kg

 3 x E27 x 60W max
Incandescenza/Incandescent



MATERIALI MATERIALS

CUT CRYSTAL

Pendagli in cristallo trasparente
molato.

Pendants in transparent cut crystal.

SWAROVSKI® ELEMENTS

Pendagli in cristallo trasparente
SWAROVSKI® ELEMENTS.

Pendants in transparent
SWAROVSKI® ELEMENTS crystal.

HALF CUT GLASS

Pendagli in vetro semi-molato.

Half cut glass pendants.