

PRODUCT SPECIFICATION

GENERAL

FINISH:	Matt Nickel	CABLE LENGTH:	Not Applicable
MAIN MATERIAL:	Metal - Mild Steel	GROSS WEIGHT:	1.05 (kg)
DIMENSIONS:	H:50mm W:760mm D: 210mm	CLASS:	CE (Class I)
INSTALLATION ORIENTATION:	Wall Mount - Horizontal	IP RATING:	IP20
CUT OUT HOLE:	Not Applicable	BATHROOM ZONE:	Zone 3
RECESS DEPTH:	Not Applicable	VOLTAGE:	Mains 230 (V)
FIRE RATING:	Not Applicable	PRODUCT F MARK:	Suitable for mounting on flammable materials

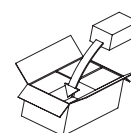
LAMP

LIGHT SOURCE:	Mid-Power LED	MACADAM ELIPSE:	3-Step
MAXIMUM WATTAGE:	8W	UGR:	To Be Advised
MAXIMUM LAMP LENGTH:	Not Applicable	BEAM ANGLE:	Not Applicable
LAMP INCLUDED?	Yes (Integral)	TILT ADJUSTMENT ANGLE:	90 (Degrees)
LUMINOUS FLUX:	630.8 (lm)	ROTATION ADJUSTMENT ANGLE:	Not Applicable
COLOUR TEMP:	2700 (K)	AVERAGE LIFESPAN:	30,000
CRI:	70	L70:	To Be Advised
R9:	-22.8		

ELECTRICAL

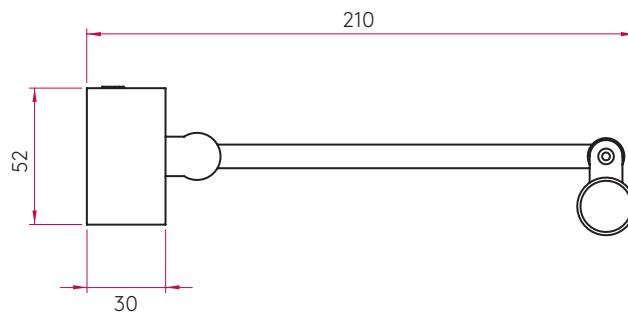
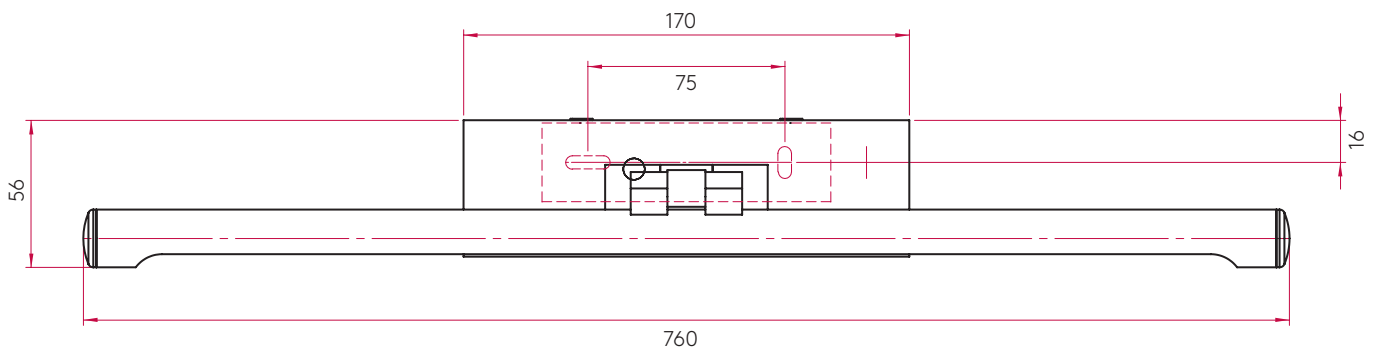
SWITCHED:	No	SUPPLY FREQUENCY:	50/60 (Hz)
DIMMABLE:	No	DRIVER /BALLAST VOLTAGE:	100-240 (V)
DIMMING METHOD:	Not Applicable	DRIVER AVERAGE LIFESPAN:	30,000 (hrs)
DRIVER OUTPUT CURRENT:	Not Applicable	EFFICACY:	61.3 (lm/W)
DRIVER OUTPUT VOLTAGE:	12 (V)	DRIVER /BALLAST INCLUDED?	Yes (Integral)

ADDITIONAL INFORMATION

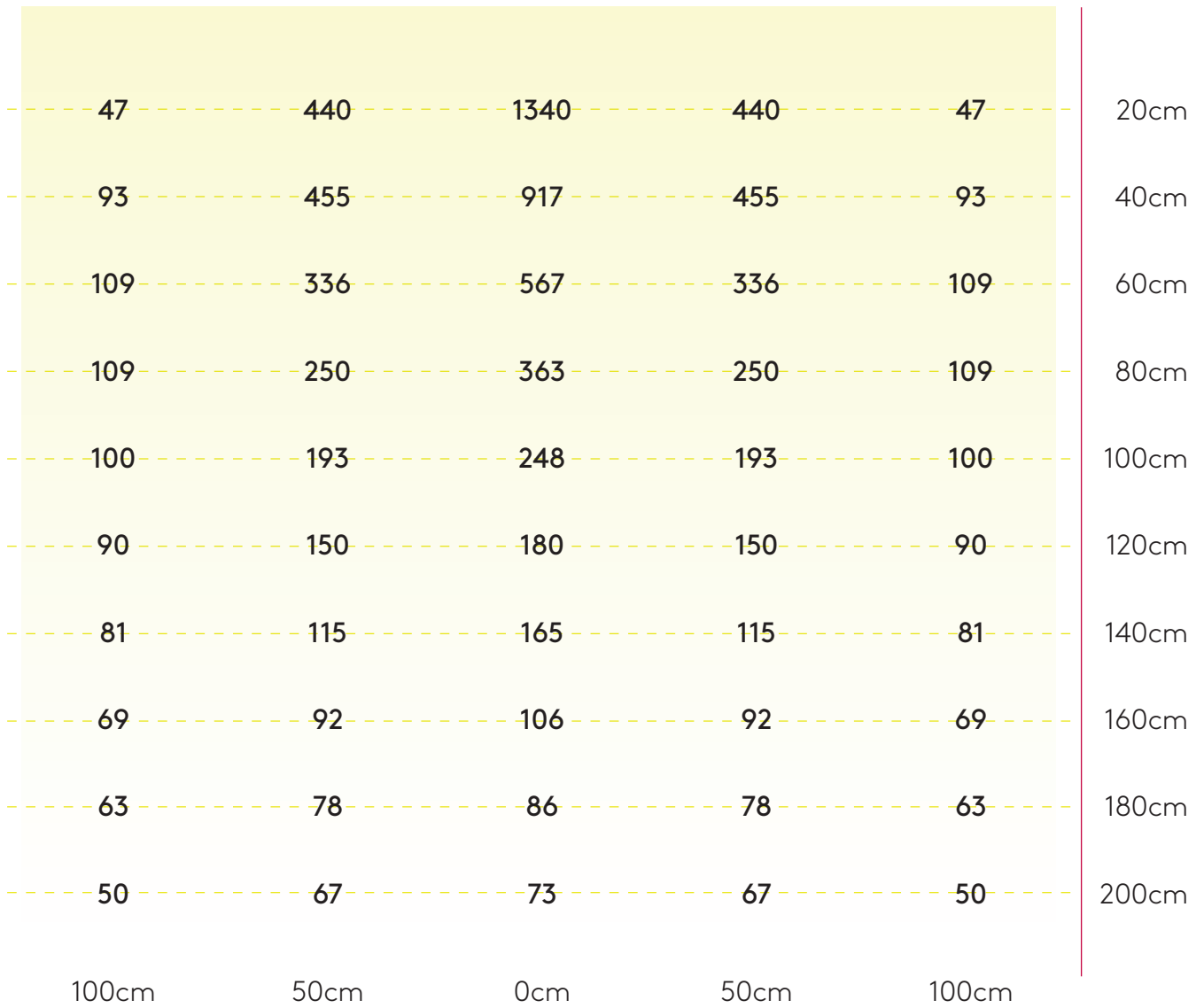
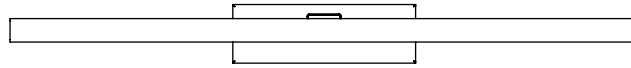


BOX QUANTITY X 12

PRODUCT ELEVATIONS



LUX DISTRIBUTION DIAGRAM



ADDITIONAL INFORMATION



All products tested were mounted 2m from the floor and adjustable heads set perpendicular to the ground. Results were obtained using a handheld lumen meter, measurements given are in Lux.

Please note: Graphical representation of the product is not to scale.