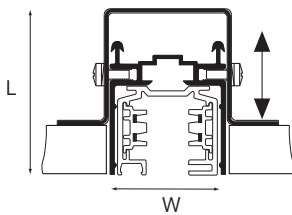
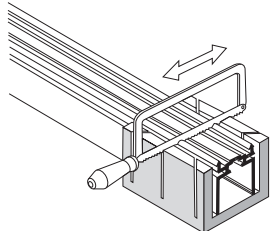
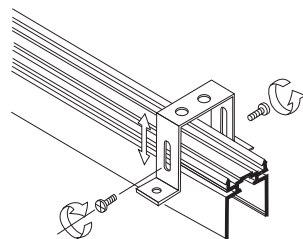
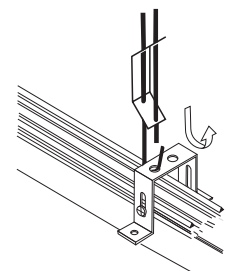
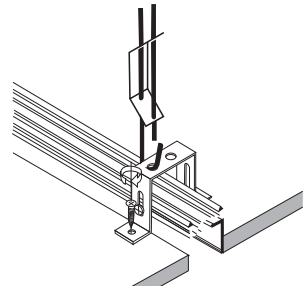
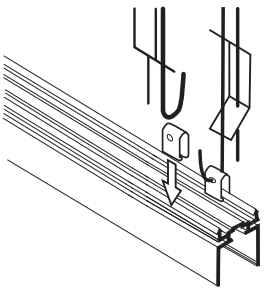
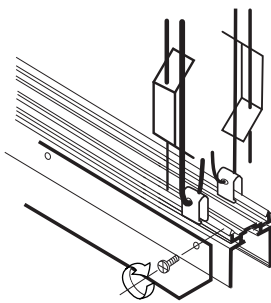
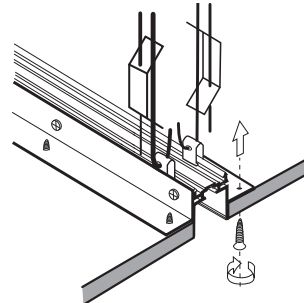
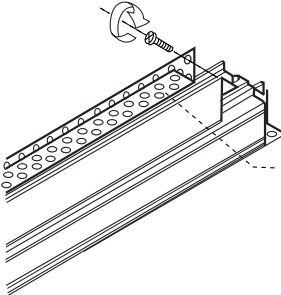
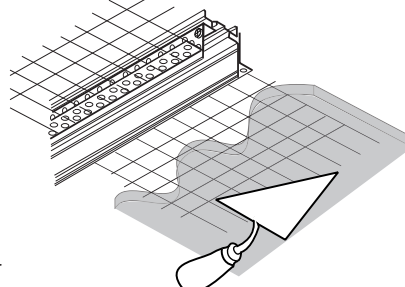
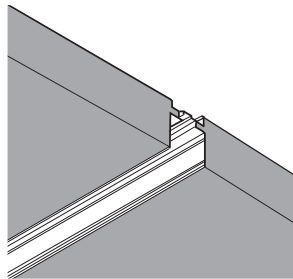
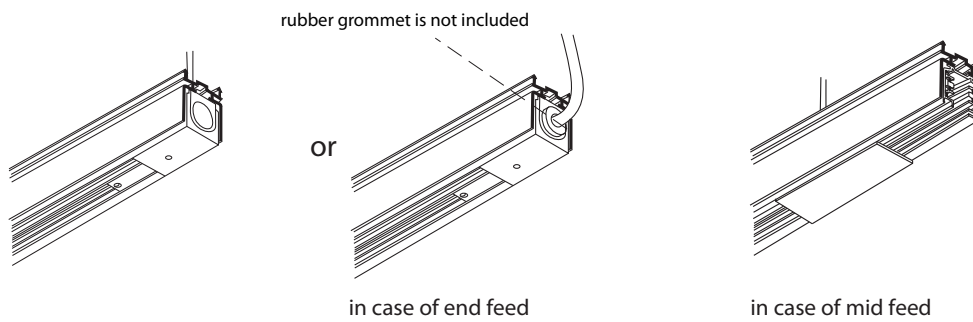
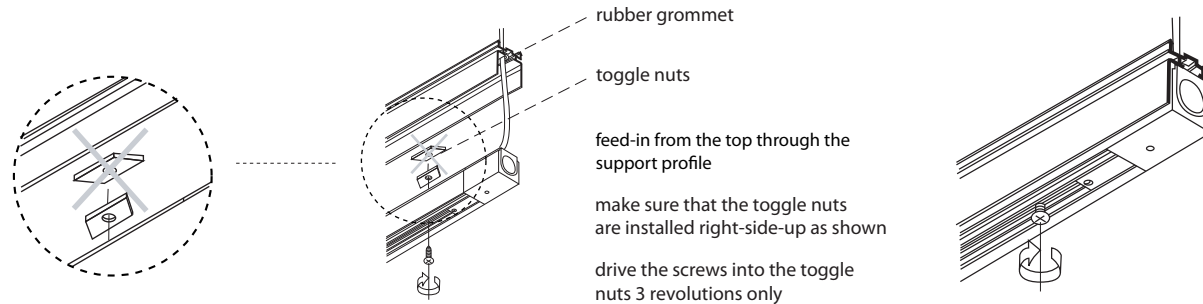


technics			Name	Reference	L x W x H
1		 <p>90°</p> <p>the support profile can be sawed to the length of the building site</p>	<p>Diapason mounting bracket recessed profile</p>	<p>kr726056</p>	<p>80 x 45 x H</p>
2a		<p>Installation for solid ceilings made of wood.</p> <p>the height of bracket can be adjusted to the thickness of the ceiling to ensure a flush mount</p>			<p>Please make sure that mains voltage is disconnected before proceeding!</p>
2b		<p>Installation for dry plaster ceiling.</p> <p>99-259-0</p> <p>Suspend the profile using the profile snap hangers 99-259-0 and quick adjust hangers.</p>			
2c		<p>Installation for wet plaster ceiling.</p> <p>Perforated L-brackets</p> <p>There is no specifically correct way to install the support profile. The installation procedure depends on the conditions on the building site and your own particular desires.</p>			



Name	Reference	L x W x H
Diapason end feed earth left	kr72651x	68 x 36 x 32
Diapason end feed earth right	kr72652x	68 x 36 x 32
Diapason mid feed	kr72653x	30 x 36 x 8

