

**bover**info@boverusa.com  
www.boverusa.com**Ema M/53**

Name: Ema M/53

Design: Joana Bover / 2004

Typology: Table lamp

Environment: Indoor

Technical description:

Table lamp with brass structure coated in satin nickel or brilliant chrome finish, with optional light or dark leather trim pieces. Rectangular lamp shades are available in linen or cotton.



## Lamps description

💡 1 x 60 W E26 A15 INC

💡 1 x 5 W E26 A15 LED

Voltage: 120V~60Hz

📦 1 Box 23.62 x 23.62 x 15.75 inches

Vol.: 5.0853 ft<sup>3</sup>

Weight: 8.82 lbs

Certifications: ETL CE

Photometrics made according to the position the lights are shown in the catalogue and price list.

## Ref                      Finishings

2119405U/P478 Satin Nickel - Shade Linen

2119405U/P479 Satin Nickel - Shade Cotton

2119460U/P478 Nickel Dark Brown Leather Shade Linen

2119460U/P479 Nickel Dark Brown Leather Shade Cotton

GU24 options upon request

INOX BASE

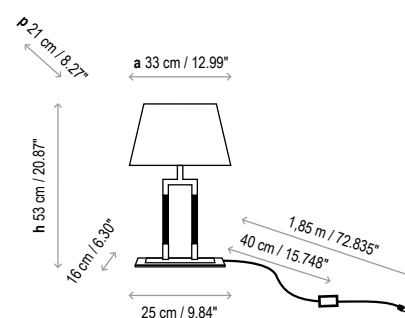
Finish: Satin nickel - Brilliant chrome

Transparent wire

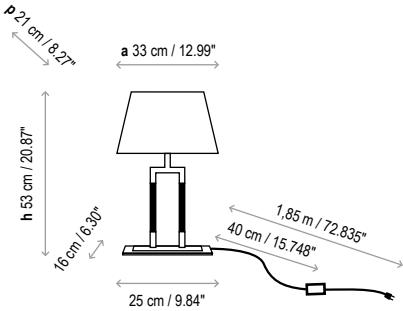
Rectangular lampshade 12.99" x 9.05" x 8.27"

Not Customizable

## Measures



Emma M/53



Emma P/157

