

Design
Andrea Sensoli

BUZZZ

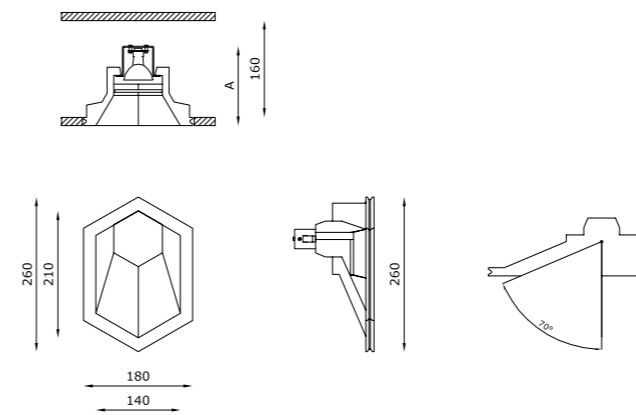


UN GIOCO DI LUCI E OMBRE A SOFFITTO.

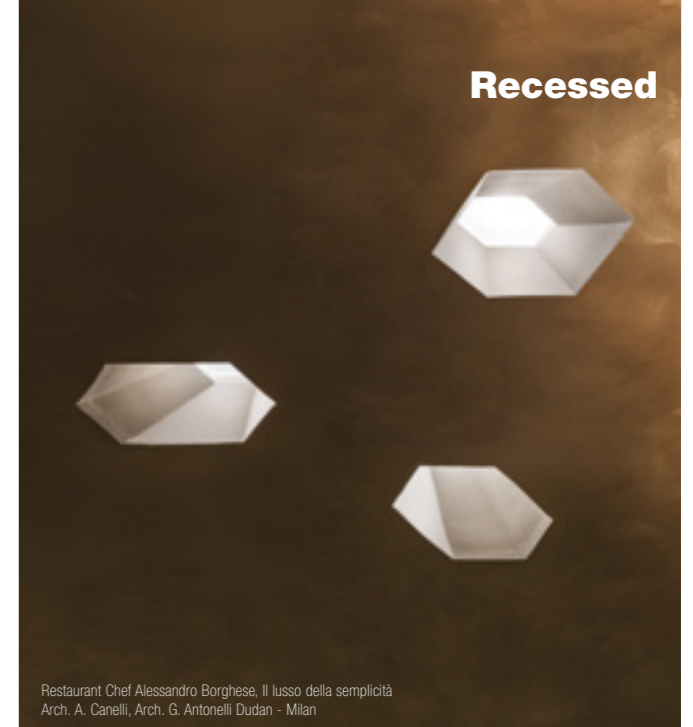
Un prodotto dal design esclusivo e ricercato, in cui eleganza e tecnica si fondono per dare vita ad atmosfere di luce uniche. Un apparecchio da interni in AirCoral®, un incasso a scomparsa totale, per installazione in soffitto di cartongesso o laterizio, che valorizza gli ambienti determinandone l'estetica. Buzzz ha una forma esagonale unica ed un fascio di luce asimmetrico che, uniti al vetro, creano luci suggestive sia sulle sfaccettature del corpo che all'interno dello spazio in cui viene installato. Il connubio tra tecnologia ed emozioni accende l'ambiente di mistero.

A PLAY OF LIGHTS AND SHADES ON THE CEILING.

A product with an exclusive and refined design, where elegance and technique are combined to give life to unique light atmospheres. A totally disappearing indoor recessed luminaire made of AirCoral®, installable in plasterboard or brick ceilings, able to enhance environments defining their beauty. Buzzz has a unique hexagonal shape and it emanates asymmetric beams of light which, together with the glass, create suggestive lights both on the sides of the body and within the space it is installed in. This combination of technology and emotions fills the environment with mystery.



Recessed



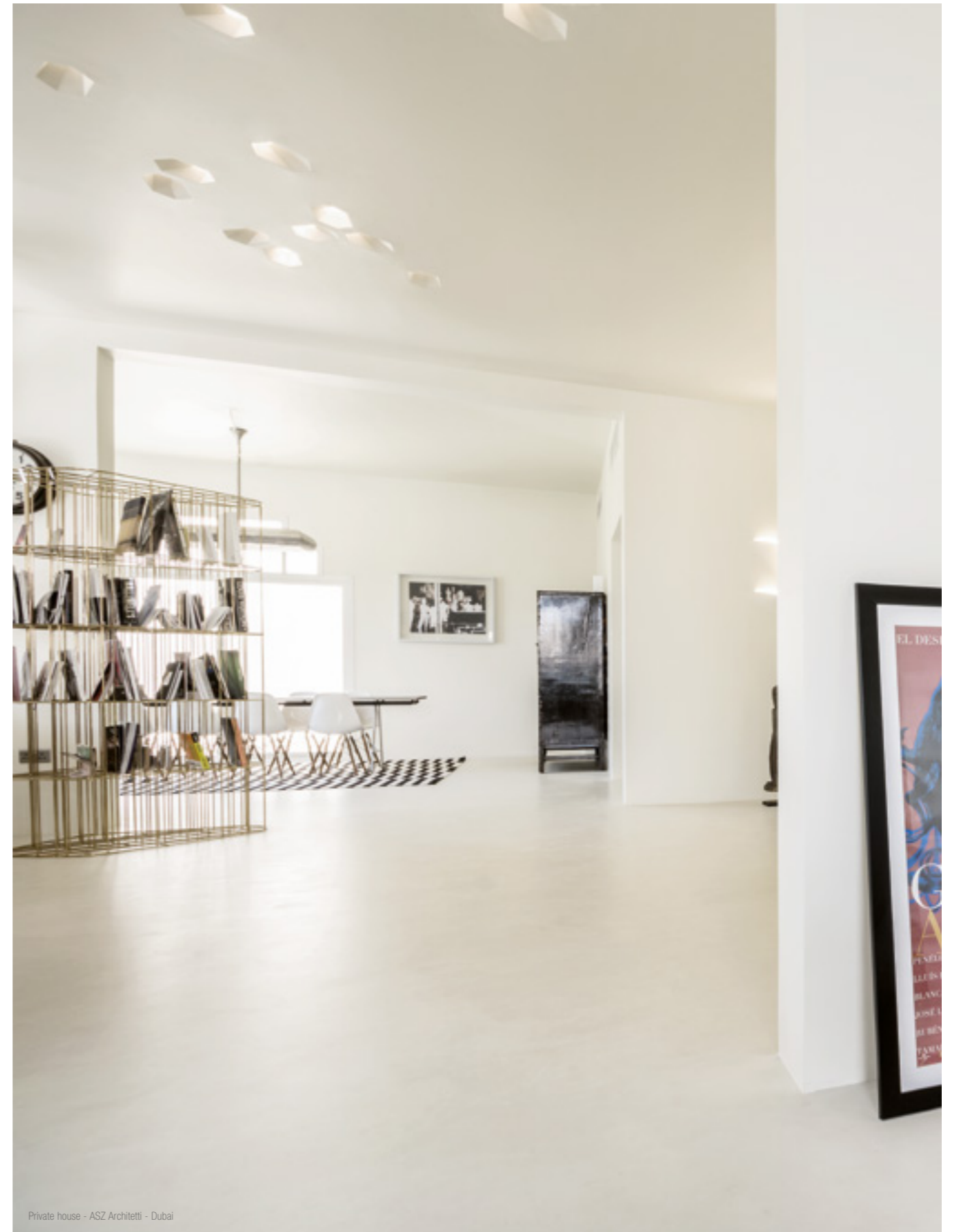
TECHNICAL FEATURES

Code	6157.Z.AC	6158.Z.AC	6155.AC
Type	Asymmetric downlight 70°	Asymmetric downlight 70°	Asymmetric downlight 70°
Material	AC: AirCoral®	AC: AirCoral®	AC: AirCoral®
Absorption capacity*	4,64 m²	4,64 m²	4,64 m²
Weight	0,9 Kg	0,9 Kg	0,9 Kg
Mounting	Ceiling recessed	Ceiling recessed	Ceiling recessed
IP rating	IP40	IP40	IP40
Insulation class	III	III	III
Control gear	Constant current electronic driver (not included)	Constant current electronic driver	Electronic transformer (not included)
Dimensions	A: 140 mm	A: 140 mm	A: 130 mm
Cut out for plasterboard	see instructions	see instructions	see instructions
Lamp type	LED 500 mA Vi:1,8 VDC	LED 500 mA Vi:1,8 VDC	QR CB 51
Lamp wattage	1 x 9W	1 x 9W	1 x 50W max
Luminous efficacy	1125 lm - 3000K	1125 lm - 3000K	-
Light distribution	Wide beam 40°	Wide beam 40°	-
Fitting	-	-	GU5.3
Light colour	White 3000K White 2700K 4000K (on request)	White 3000K White 2700K 4000K (on request)	-
Light hole	210 x 140 mm	210 x 140 mm	210 x 140 mm
Voltage connection	By driver (optional)	220-240V · 50/60Hz	By driver (optional)
CRI	>90	>90	-
Emergency	-	1 hour	-
Energy efficiency class	A++	A++	A
Note	Extra white satin glass. Frosted glass recessed 50 mm into the ceiling. On request available dimmable PUSH or DALI.	Extra white satin glass. Frosted glass recessed 50 mm into the ceiling. On request available dimmable PUSH or DALI.	Extra white satin glass. Frosted glass recessed 50 mm into the ceiling.

OPTIONAL ACCESSORIES

product code	optional code	description	info
6157.Z.AC	H8500.E	Constant current electronic driver	Suitable for n°2 code 6157.Z.AC - 500 mA
	H8500.B	Constant current electronic driver	Suitable for n°1 code 6157.Z.AC - 500 mA
6155.AC	H8060.LED 0008KIT	Dimmable electronic transformer Kit LED dimmable	Max watt 60W Volts · Hz 230/12V · 50/60Hz Bulb 7W · 12V

* The absorption capacity per m² calculated by the American organization TCNA (Tile Council of North America) is measured for an average room of 2.7 m in height and therefore expressed in m²





Restaurant Chef Alessandro Borghese, Il lusso della semplicità - Arch. A. Canelli, Arch. G. Antonelli Duran - Milan