

PATRIZIAGARGANTI

Firenze

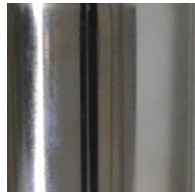


The soul light

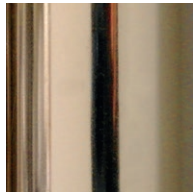
Moulin Rouge collection

1 light suspension lamp

Finish



polished nickel



gold plated

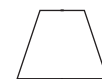
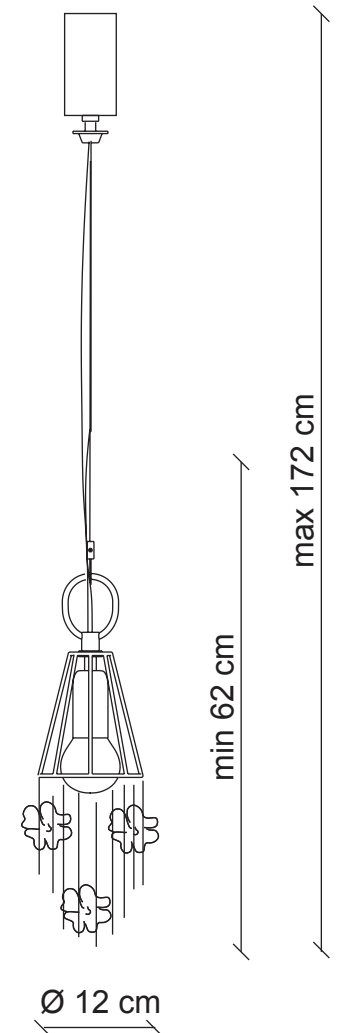
Accessories colour



clear blown glass pendants

PG338

PG339



Ø 9x4 cm
H. 11 cm



1x
40W E14
not supplied

Kg 2
m³ 0,05