

Heathfield&Co

Product Specification Sheet

TABLE LAMP | AVA CHARCOAL



PRODUCT INFORMATION

Base Code: TL-AVA0-SBRS-CHAR

Material: Ceramic

Finish shown: Charcoal

Metalwork: Satin Brass

Lampshade: 16" Coolie / SH-16-COOL

Flex: UK & EU 1.5 metres of Black twisted flex /

US Black braided flex

TECHNICAL INFORMATION

Weight: 2kg / 4.4lbs

Plug: Black 13amp UK plug /

Black Schuko EU plug / Black US polarised plug

Switching: Black inline switch

Lamping: 1x E27 lampholder / 1x E26 US lampholder

60W max. LED lamps recommended.

Lamps not included

BASE HEIGHT: 320 mm / 12¹/₂"

TOTAL HEIGHT: 520 mm / 20¹/₂"

BASE WIDTH: 200 mm / 8"

SHADE WIDTH: 400 mm / 15³/₄"

UKCA / CE / UL COMPLIANT

WARRANTY

10 years*

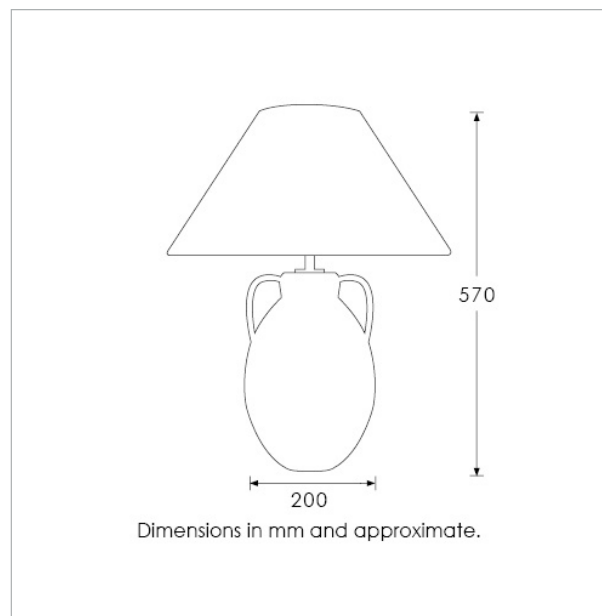
FINISHING NOTE

The ceramic glazes that we have used on this lamp will create differences from piece to piece - variations in colour, formation and detailing. As such, it is part of the charm that no two products are exactly the same.

CLEANING INSTRUCTIONS

The finishes on this luminaire only require regular cleaning with a soft dry duster. Abrasive or chemical cleaners may harm the finish and should not be used. Shade to be dusted with a clean dry cloth.

*Please refer to our Terms & Conditions for further information.



H&
CO

LIGHT BEYOND DESIGN

www.heathfield.co.uk | +44 (0) 1732 350450 | sales@heathfield.co.uk
Unit 1, Priory Road, Tonbridge, Kent, TN9 2AF, United Kingdom. This specification is subject to our standard Terms & Conditions, a copy of which can be found at heathfield.co.uk. © 2022 Heathfield & Co. All rights reserved.

Heathfield&Co

Product Specification Sheet

TABLE LAMP | AVA IVORY



PRODUCT INFORMATION

Base Code: TL-AVA0-SBRS-IVRY

Material: Ceramic

Finish shown: Ivory

Metalwork: Satin Brass

Lampshade: 16" Coolie / SH-16-COOL

Flex: UK & EU 1.5 metres of Ivory twisted flex /

US Ivory braided flex

TECHNICAL INFORMATION

Weight: 2kg / 4.4lbs

Plug: White 13amp UK plug /

White Schuko EU plug / White US polarised plug

Switching: White inline switch

Lamping: 1x E27 lampholder / 1x E26 US lampholder

60W max. LED lamps recommended.

Lamps not included

BASE HEIGHT: 320 mm / 12^{1/2}"

TOTAL HEIGHT: 520 mm / 20^{1/2}"

BASE WIDTH: 200 mm / 8"

SHADE WIDTH: 400 mm / 15^{3/4}"

UKCA / CE / UL COMPLIANT

WARRANTY

10 years*

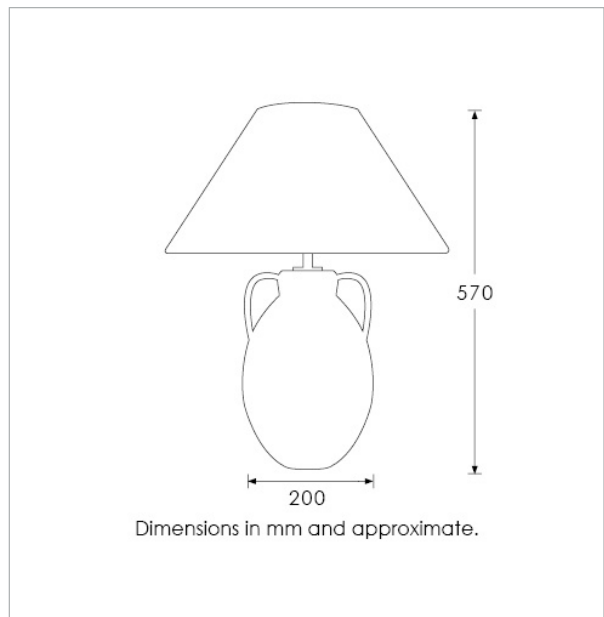
FINISHING NOTE

The ceramic glazes that we have used on this lamp will create differences from piece to piece - variations in colour, formation and detailing. As such, it is part of the charm that no two products are exactly the same.

CLEANING INSTRUCTIONS

The finishes on this luminaire only require regular cleaning with a soft dry duster. Abrasive or chemical cleaners may harm the finish and should not be used. Shade to be dusted with a clean dry cloth.

*Please refer to our Terms & Conditions for further information.



Dimensions in mm and approximate.

H&C
CO

LIGHT BEYOND DESIGN

www.heathfield.co.uk | +44 (0) 1732 350450 | sales@heathfield.co.uk
Unit 1, Priory Road, Tonbridge, Kent, TN9 2AF, United Kingdom. This specification is subject to our standard Terms & Conditions, a copy of which can be found at heathfield.co.uk. © 2022 Heathfield & Co. All rights reserved.