

LIBE ROUND S60

Design by: Gianpaolo Rampolla & Andrea Liguori

MASIERO



Lampada LED in legno di Rovere naturale. La diffusione della luce è amplificata da losanghe in cristallo opaco. Base in metallo cromato.

LED lamp in natural oak wood. The diffusion of light is amplified by opaque crystal lozenges. Chromed metal base.

LED-Lampe in Eichenholz natur. Der Licht-Diffusor wird durch lange opak Kristalle verstärkt. Die Base ist aus verchromtem Metall.

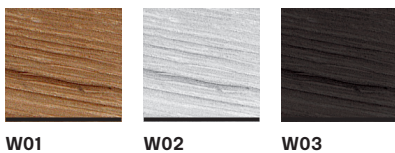
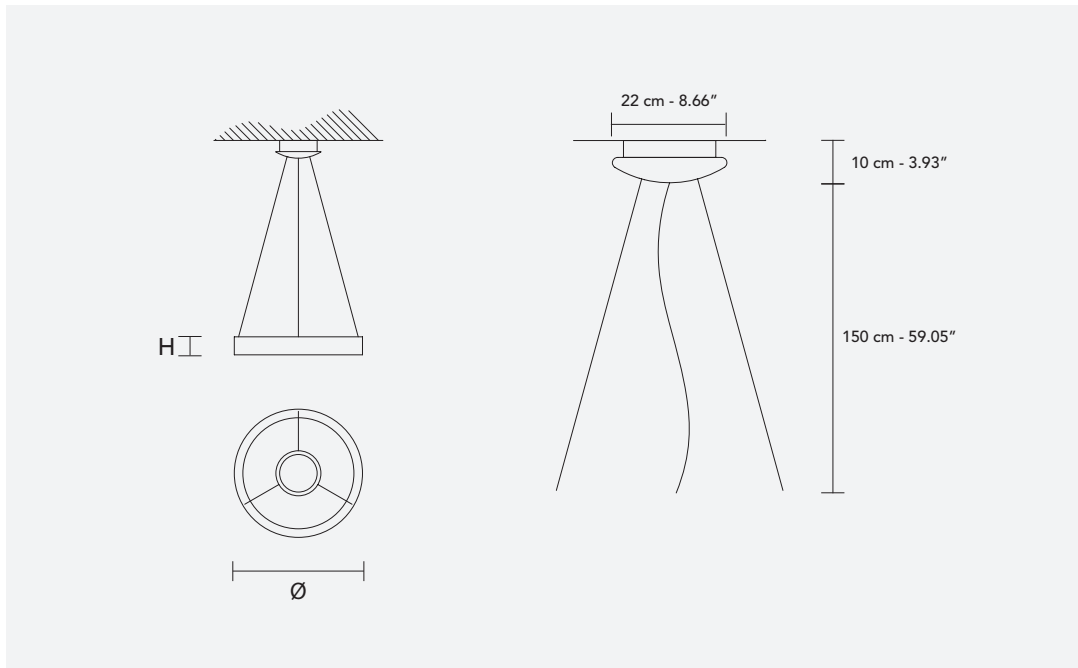
Lampe LED en bois rouvre naturel. La diffusion de la lumière est amplifiée par des prismes en cristal opaque. Base en métal chromé.

Светодиодная лампа из натурального дуба. Рассеяние света усиливается кристаллами из матового хрусталя. Основание из хромированного металла.



H 8.5 cm / 3.34"
Ø 60 cm / 23.62"

LED x 47,5 W CRI>80
3000 K - 2805 lm
Dimmable: PUSH



* "UL" logo refers to articles which can be modified with UL-compliant components. The "UL" listing mark stands for tested and evaluated product to recognized us safety standards.