

Name: Fora S/50 Outdoor

Design: Alex Fernández Camps / Gonzalo Milà / 2010

Typology: Pendant lamp

Environment: Outdoor

Technical description:

Outdoor pendant lamp releasing light through a frosted medium density, UV protected polyethylene globe, shielded by weaved synthetic polyethylene fiber lamp shade. Lamp shade is available in natural white and brown graphite. Canopy is aluminum, coated with anti-corrosive, cathaphoresis treatment to provide comprehensive protection against all weather conditions in accordance with IP 55 rating. Electrical cord is encased with protective neoprene. Height can be adjusted by tensor wire. (IP 55).



Lamps description

⏚ Grounding: compulsory

💡 2 x 20 W E26 Triple CFL

💡 2 x 10 W E26 A19 LED

Voltage: 120V~60Hz

📦 1 Box 23.62 x 23.62 x 15.75 inches

Vol.: 5.0853 ft³

Weight: 14.33 lbs

Certifications: **IP-55**

Photometrics made according to the position the lights are shown in the catalogue and price list.

Ref Finishings

SETS:

4130301U Natural White

P-695C Light Beige

4130303U Brown Graphite

P-696C Brown

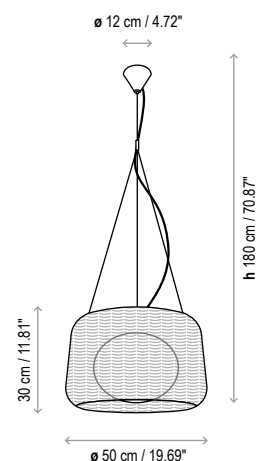
All Bover's synthetic fiber collection are recyclable and non-toxic for environmental sustainability.

Lampshade 19.69" x 11.81"
Synthetic Polyethylene Fiber, aluminum frame.
(Operating temperature: -70°C to +70°C)

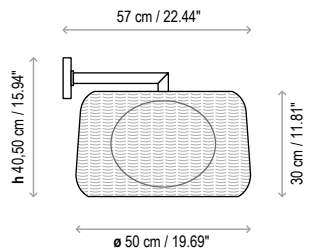
Light source is protected by polyethylene globe of medium density and UV protection.
(Operating temperature: -40°C to +70°C)

Not Customizable

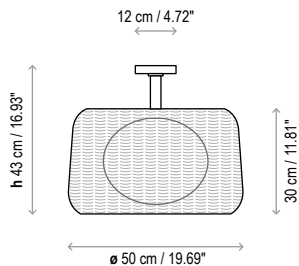
Measures



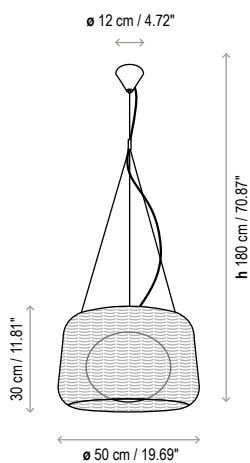
Fora A/01 Outdoor



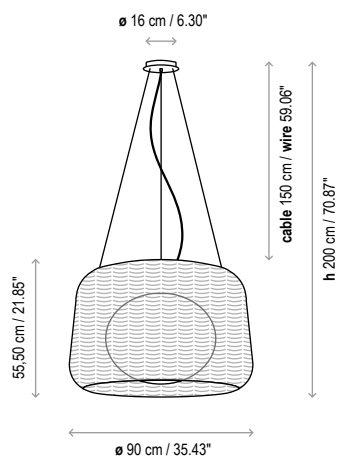
Fora PF/50 Outdoor



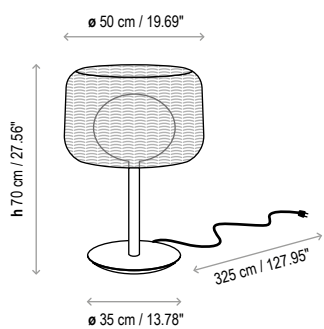
Fora S/50 Outdoor



Fora S/90 Outdoor



Fora M/70 Outdoor



Fora P/165 Outdoor(Concrete Base)

