

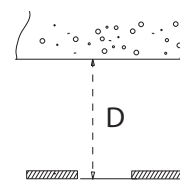
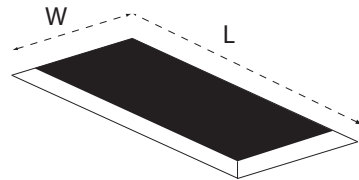
technics

Regard single

Please make sure that main voltage is disconnected before proceeding! ⚡

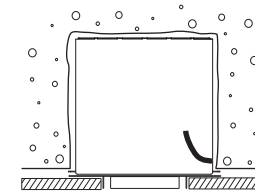
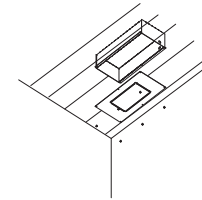
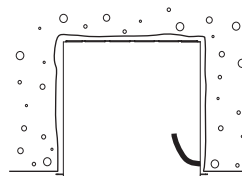
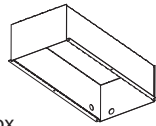
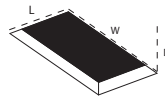
Reference	cutout L x W x D	plasterkit: L x W x D	installation box: L x W x D
kr90321X	285x145x90	285x145x90	495x240x145
kr90322X	285x145x90	285x145x90	495x240x145
kr90328X	285x145x130	285x145x130	495x240x185

1 cut out



2 cut out/plasterkit

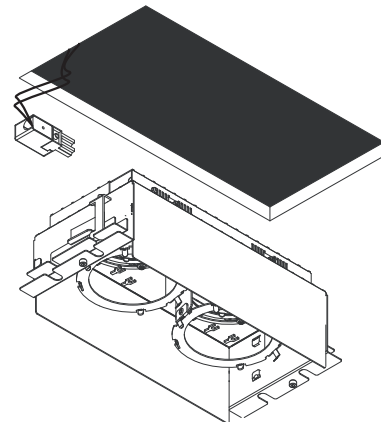
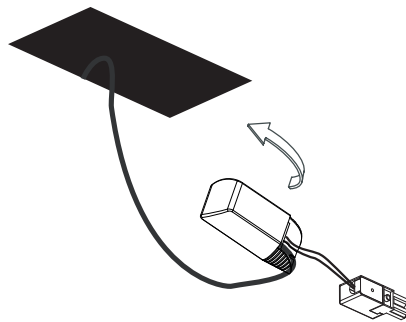
In case of:
cut out/plasterkit



3 installation box

In case of:
installation box

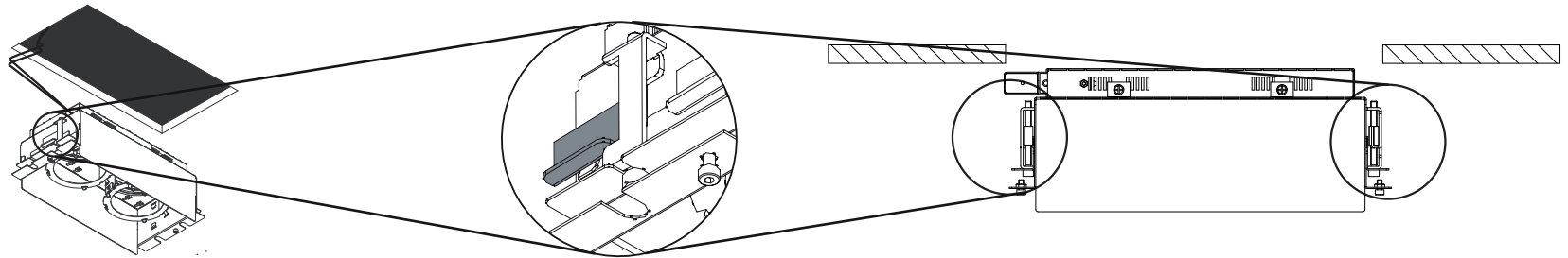
Mount plasterkit



4 installation

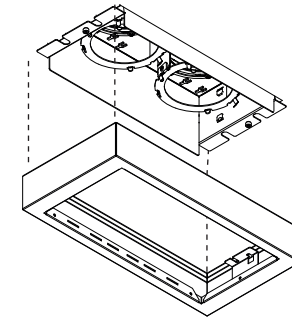
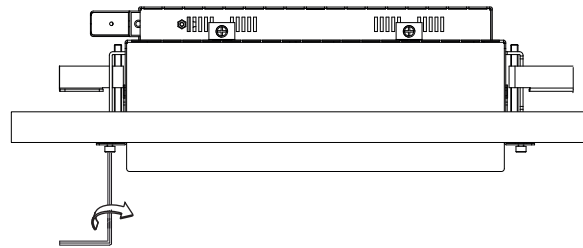
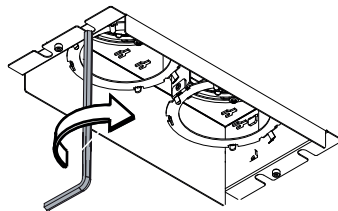
connect the mains and the delivered 2P connector to the gear

connect the 2P female connector (connected to the gear) to the 2P male connector in the fixture



5 installation

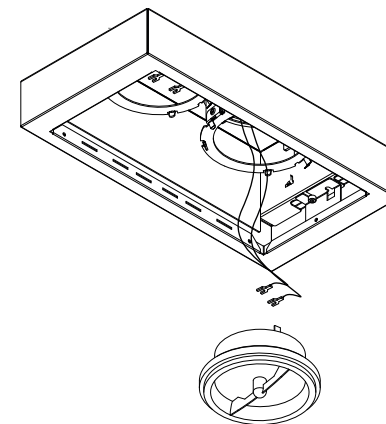
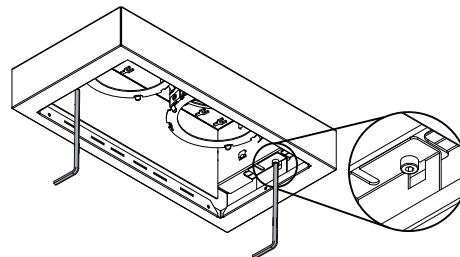
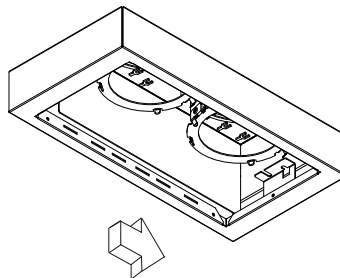
when the fixture is mounted in to the housing,
make sure that the indicated flanges are aligned with the housing
otherwise they might interfere with the installation in the cut-out



installation

turn to flip the brackets outwards
keep on turning to adjust them against the ceiling
and fix the housing

mount the cover

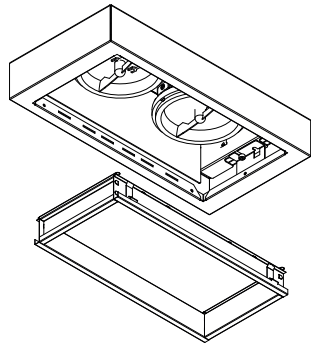


installation

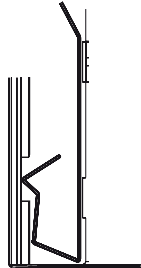
slide the cover underneath the screws that
are already mounted in the housing

fix the screws on both sides with a hex key

mount the lamps by clicking them on the directional set
connect them to the connectors that are delivered



click!



installation

mount the louvre



6 picture